

**TECE**   
close to you

Drainage systems

**SHOWER  
DRAINAGE –  
STYLISH AND  
SECURE**







“Attractive for the customer, reliable during installation: that's how drainage systems should be today.”

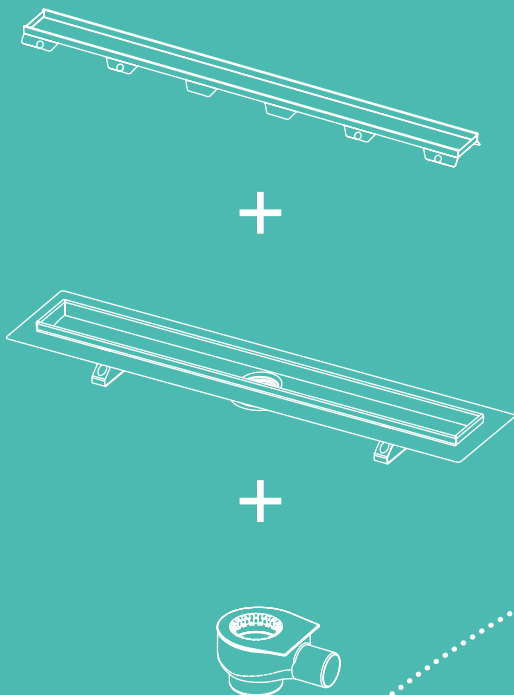
## RELIABLE CAN BE SO BEAUTIFUL.

Floor level showers are a must in the modern bathroom. In order to realise this new freedom in the bathroom in the most optimal way for the customer, TECE offers high-quality solutions in lots of up-to-date designs from point drainage via the shower channel through to the shower profile. Maximum design freedom and maximum reliability go hand in hand at TECE. Not only do we guarantee that all of our drainage systems fully comply with standards, but thanks to the independent Seal System test we also ensure they are leak-proof when used with standard sealing products. Attractive, hygienic, reliable: This is drainage systems made by TECE.

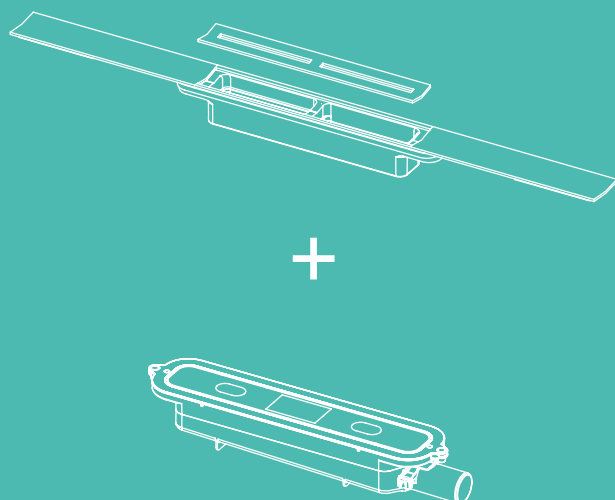
# ONE MODULAR SYSTEM, ALL POSSIBILITIES.

Looks good, says the client. It fits, we say. Thanks to the massively diverse combination options for covers, drain tops and drains in the TECE modular system.

TECEdrainline



TECEdrainprofile

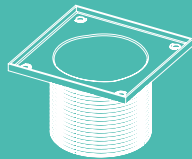


Individually combined: the TECEdrainline shower channel consists of a channel body in various versions, a glass or stainless steel cover or a holder and a channel for natural stone or tiles and one of five drains. All of these elements can be ordered separately and freely combined with one another.

One length-adjustable shower profile and one of two drains: done. The TECEdrainprofile shower profile range is clearly arranged – and measures up to any installation situations thanks to the individual length adjustment and setting in the shower area. The stainless steel profiles are available in four different lengths and four current colour variations in a choice of brushed or polished look.



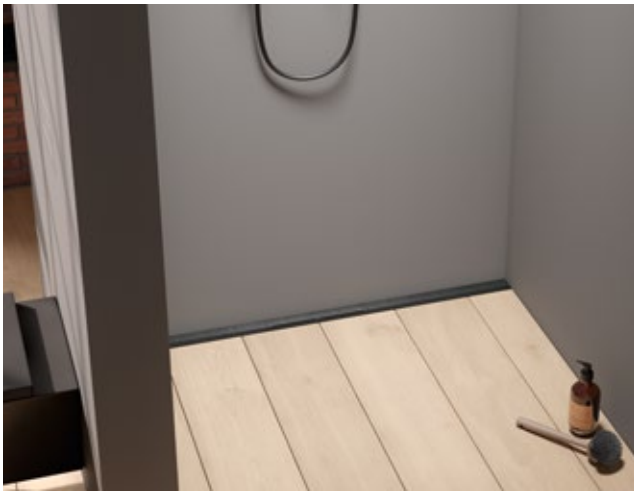
## TECEdrainpoint S



The TECEdrainpoint S point drain is freely assembled using a design grate or tileable channel, a matching drain and a drain top with grate frame. Practical when things have to be done fast: the TECEdrainpoint S complete sets for the most common point drain combinations.

## Always the right solution

Tastes differ – just like the structural requirements that drainage systems have to meet. That's why TECE offers all of its drainage products in a modular system.



# CONTENTS

- 04 **Drainage with no compromises**  
Attractive, hygienic, reliable –  
from the design to the sealing everything considered
- 14 **TECEdrainline**  
20 TECEdrainline  
26 Drains and Accessories  
30 Design covers
- 34 **TECEshowerline**  
TECEshowerline shower channel sets
- 38 **TECEdrainprofile**  
The recessed shower profile
- 48 **TECEdrainpoint S**  
Drainage right to the point
- 56 **Quality assurance**  
Proven reliability in the system
- 60 **Sound insulation and fire protection**  
Sensitive topics, reliable solutions

# DRAINAGE WITH NO COMPROMISES.

Attractive, hygienic, reliable –  
from the design to the sealing everything considered.



## Form and function in perfection

Good design isn't just a question of aesthetics for us, but also one of functionality. This includes the most reliable and simple assembly as well as products that satisfy the highest demands of design freedom, hygiene and safety.

Drainage systems with no compromises that designers, fitters and end customers can depend on.



### Design that leaves you room to play

Perfect solutions sometimes present themselves when we take a step back. This is why TECE drainage solutions integrate exactly in the way they are needed: whether it's close to the wall, in the room or even recessed, as elegant steel variants or almost invisible with tile or natural stone holders. Aesthetics made to measure – for maximum freedom.

### Simply hygienic

Well-designed technology does away with corners or cavities which cannot be reached, as well as threaded components on which hair or dirt can be trapped. Instead, it emphasises consistently designed elements made of hygienic materials that are especially effective and easy to clean. Drainage systems from TECE thus remain hygienically clean.



### Proven reliability in the connection

We test more than just our products. This is because the composite seal is only truly sealed when all components mesh optimally with one another. TECE has therefore independently tested and approved a wide spectrum of market standard sealing products in conjunction with the TECE Seal System sealing tape and the TECE Seal System sealing sleeves. More transparency – for added security.



# BEAUTIFUL TODAY. EQUIPPED FOR TOMORROW.

Floor-level is the new maxim in shower room design. Because the contemporary bathroom isn't just pretty and comfortable – it's also a little investment in the future.

The floor-level shower provides freedom in the design because the design and dimensions of shower trays no longer play a role. It also provides freedom in planning, for our own future or for future users, tenants or buyers. Once the foundation is laid, the necessary fixtures for old age, illness

or disability can be implemented quickly. A bathroom that's designed to be barrier-free is therefore not only a central criterion for personal living space, but also a value-adding argument for any property intended to satisfy modern standards for several generations.





## For today and tomorrow

With just a handful of additional aids, the floor-level shower also lives up to special requirements resulting from physical restrictions – whether in old age, after an accident or in the event of illness and disability.

# PROVEN UNDER THE TOUGHEST CONDITIONS.

Our competence with the shower channel originally comes from the industrial sector: the stainless steel and drainage specialist Basika has belonged to the TECE Group since 2005. Proven expertise from the profile sector that only truly starts to shine in the modern bathroom.



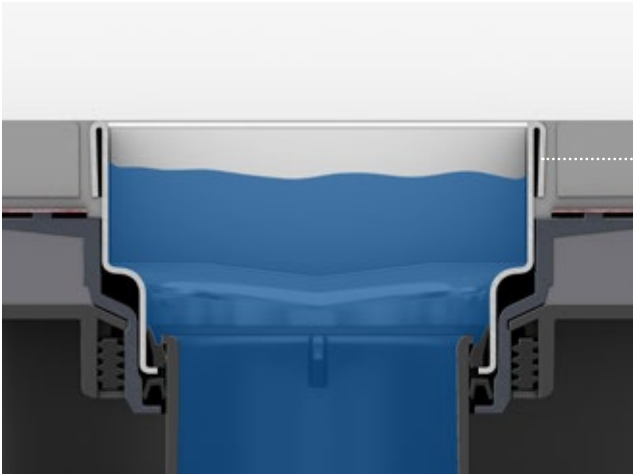
## A success story

More than ten years ago, TECE took over Basika Entwässerungs GmbH Wuppertal. One year later, the integration of the traditional company into the TECE Group led to the introduction of the TECEdrainline shower channel, which applied the principle of linear drainage from industrial application to the modern bathroom. Bathroom designers and fitters both recognise the potential of the new shower channel – the start of a success story that celebrated its biggest milestone ten years later with the sale of the 1,000,000th shower channel.



## From the swimming pool to the bathroom

The success of the TECEdrainline shower channel is based on decades of practical experience with the industrial channel and its application in large-scale kitchens, swimming pools and the food-processing industry. The drainage channel faces its toughest conditions here: boiling hot and greasy waste water and targeted attacks from steam cleaners not only put the channel and drain to the test in the hardest way, but the seal and the transitions to the tiles as well. Daily cleaning of the kitchen channels using in part relatively harsh cleaning additives must live up to the requirements for kitchen hygiene as well as health and safety checks by the respective authorities.



## The anti-capillary edge – reliable from experience

The highest hygiene requirements with continually high loads: totally unthinkable without an anti-capillary edge. That's why the anti-capillary edge is also a significant construction feature in all TECE shower channels for the modern bathroom. A principle that we also stay true to when it comes to further development of the TECEdrainline shower channel.



# SEAL SYSTEM – COMPOSITE SEAL, INDEPENDENTLY TESTED.

An end to intensive research. With Seal System, fitters and tilers have tested safety when connecting composite seals for shower channels, shower profiles and point drains.



“I want to use the sealant that I've always used. What use is it to me if a manufacturer only tests a medium that I can't even get here?”



### Absolute reliability thanks to testing by the professional

The Seal System tests were conducted by Kiwa TBU GmbH, Greven, a testing house accredited by the Deutsches Institut für Bautechnik (DIBt). The tests are performed in accordance with the applicable testing principles for seals in conjunction with tile and slab floor coverings.





## Seal System – tested for practical application

The market offers a wealth of sealing products that vary regionally or simply according to the preference of the person using them. It's understandable that each craftsman likes to use their own personal favourite. The problem: the relevant combination of drainage product and composite seal often goes untested. And this is exactly where Seal System comes in. An independent institute was contracted to test the tightness of TECE drainage products and numerous composite seal products from well-known manufacturers as part of a comprehensive combination test. All test pieces were subjected to a 20 cm high water column for a period of 28 days. The result: almost 600 individual test certificates that document suitable combinability. Designers and tradespeople now have proven assurance and almost “unrestricted freedom” when it comes to the composite seal. Practical: a list of the successfully tested sealing products is supplied with the drainage products.



**Always the right  
composite seal**



You can also find information on Seal System, tested sealing products and test certificates online at [www.tece.com/en/drainage/seal-system](http://www.tece.com/en/drainage/seal-system).

# A MATTER OF PURE TASTE.

Comfort along the line, a solution with a profile or effective to the point – drainage products from TECE do a perfect job in every bathroom. And look fantastic.



## **TECEdrainline**

The classic shower channel creates a floor-level shower area and meets individual design requirements. It adds elegant touches with covers made of stainless steel or glass, as a support for natural stone or a tileable channel it integrates almost invisibly into the shower space so that all that's left to see is a slender gap in the floor.



### **TECEdrainprofile**

The elegant and recessed stainless steel solution integrates into the entire width of the shower area with zero lateral pieces of tile. With simple length-adjustment and assembly as well as clever details for optimum drainage and effortless cleaning. For maximum hygiene and cleanliness – with minimal effort.

### **TECEdrainpoint S**

The streamlined and efficient alternative to confusing complete solutions: In the modular system, the point drain is put together individually – for optimum deployment in the shower area, utility rooms, terraces and more.



TECE DRAINAGE SYSTEMS

# TECEdrainline

The shower channel that's been tried and tested a million times

## Attractive without airs and graces

Modern drainage works reliably – without putting itself at the forefront. TECEdrainline thus offers numerous variants of different covers in a modular system that integrate into any shower area almost seamlessly. And many variants of channel bodies that make installation at any point in the shower area that you want fast, secure and reliable.

The TECEdrainline with stainless steel flange and Seal System sealing tape convinces by the perfect processing of easy-to-clean materials. This makes the TECEdrainline durable and practical at the same time. And that's not just during assembly, but during use as well.



# GENUINE BEAUTY COMES FROM WITHIN

Where some shower channels show their unpleasant side, TECEdrainline impresses from the get go – with gleaming cleanliness in no time.



Trapped: the hair trap effectively prevents pipelines becoming obstructed by hair.



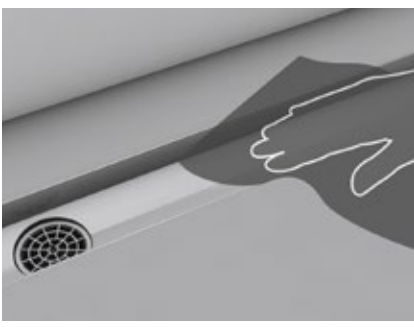
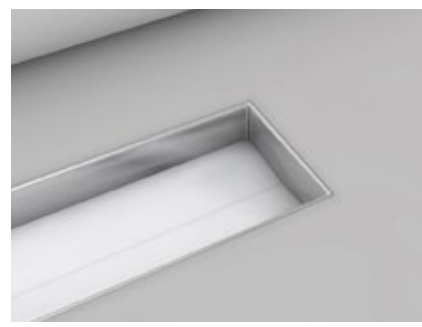
Innovative against odours: the two-layer membrane odour trap minimises the evaporation of the sealing water in the siphon while acting as a bug barrier at the same time – perfect for showers that are seldom used.





3

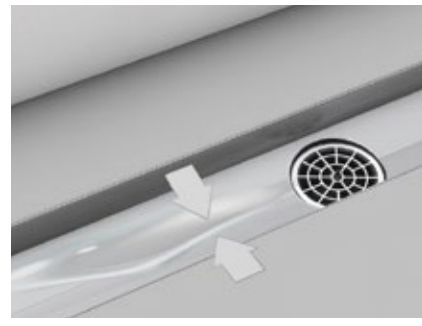
Stays clean: the anti-capillary edge prevents the ingress of dirt and soap residues below the tiles.



Hygienically clean: the easy to clean steel body is seamless – no screws or threaded parts. This means neither hair nor dirt can collect.

2

Runs optimally: even if mounted slightly askew, the flow of water is improved thanks to the internal gradient, which in turn minimises deposits in the channel body.



# MODULAR SYSTEM

In the modular system, this optimum shower solution for any shower area combines quickly.

## TECEdrainline total package

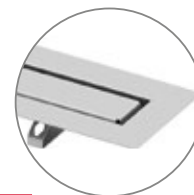
A TECEdrainline shower channel always consists of a:

- A channel
- B drain
- C cover

**A** Channel



**1**



**2**



**3**

## TECEdrainline with stainless steel flange and Seal System sealing tape

Tried and tested a million times: our first design shower channel with all the benefits from the industrial sector. Also available as a channel for installation flush with the wall and as a variant for natural stone. Available in the nominal lengths 700 to 1,500 mm and can be ordered in special lengths.

- 1 TECEdrainline shower channel
- 2 TECEdrainline shower channel for natural stone
- 3 TECEdrainline shower channel with wall upstand

**B** Drain

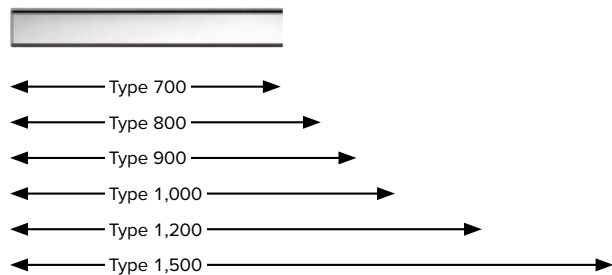


Drains for TECEdrainline shower channels are available in four heights from 53 to 133 mm and as a vertical drain. All drains can be freely combined with all TECEdrainline channels according to the necessary drainage capacity and available installation height.

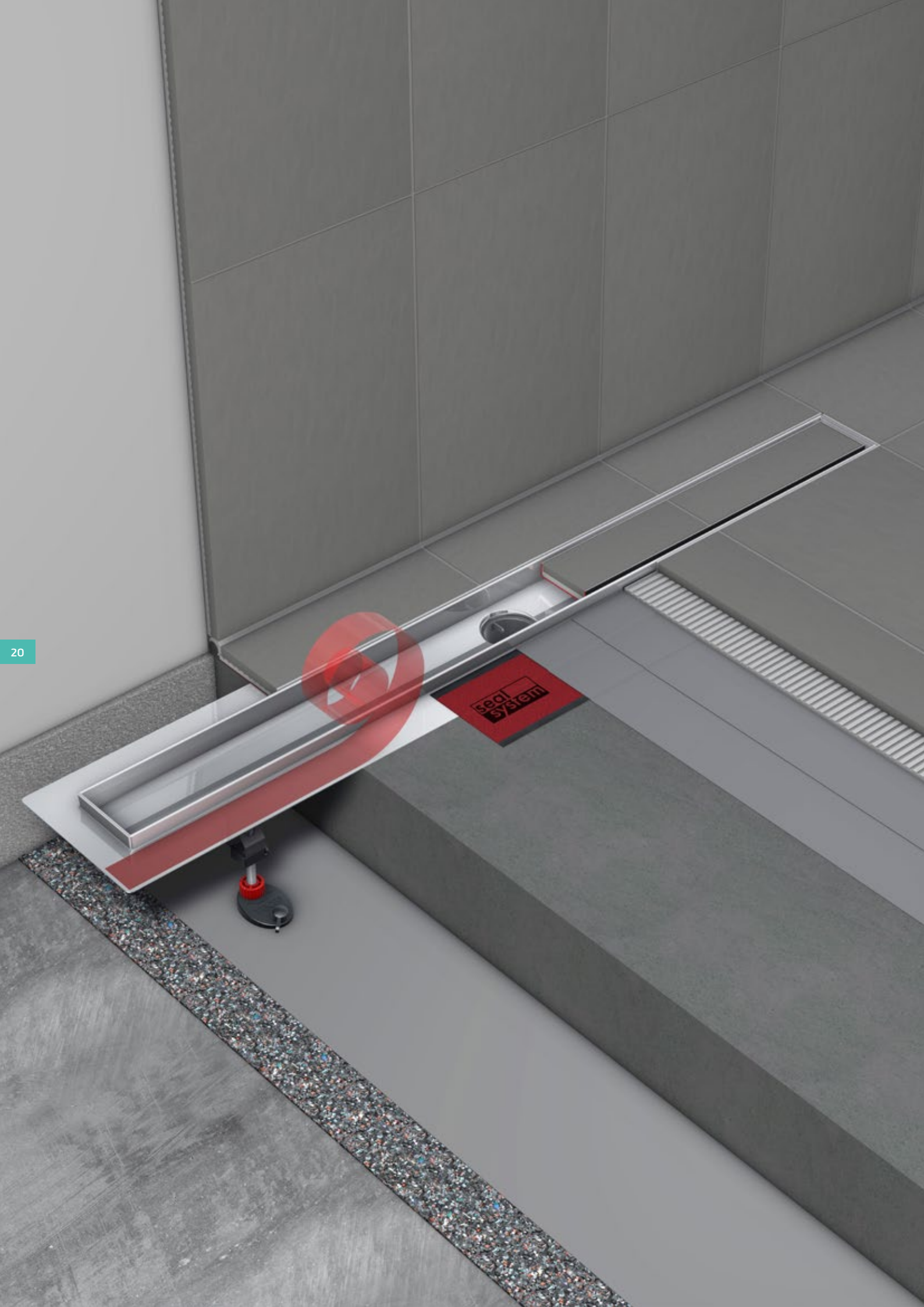
**C** Cover



Design covers for TECEdrainline are available as a stainless steel design grate in various versions, made of glass as well as supports for tiles and natural stone. All TECEdrainline design covers can be combined with all TECEdrainline channels and are available in the lengths Type 700 to 1,500 mm.\*



\* TECEdrainline channel und cover for natural stone are delivered as a set.



# THE CLASSIC: TECEdrainline

The original model of the much-loved shower channel comes with an all-around stainless steel flange and Seal System sealing tape for overlapping connection with the composite seal. Available as a straight version for installation close to and far away from the wall, as a natural stone channel as well as a version with wall upstand for installation flush to the wall.



## The advantages at a glance

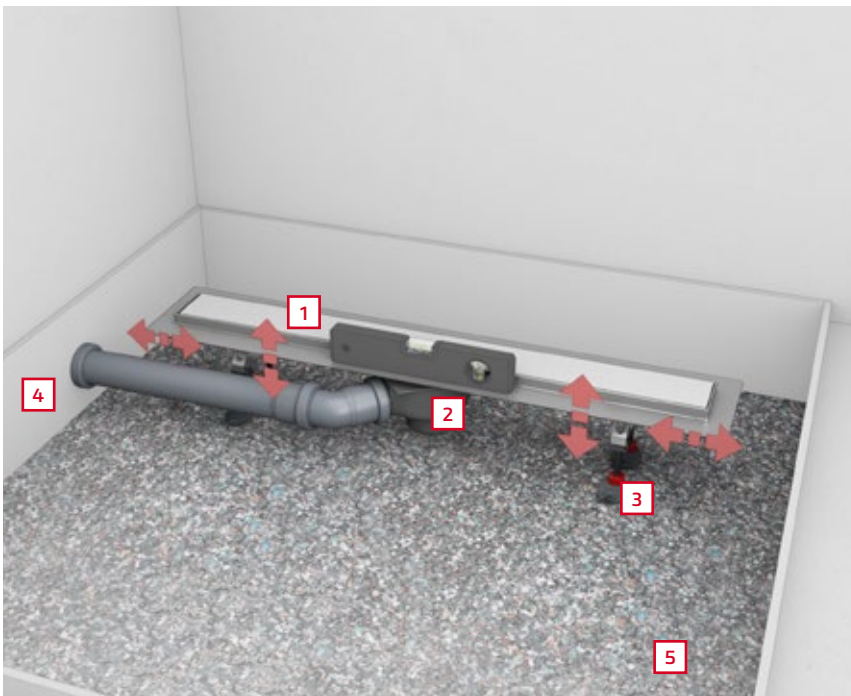
- Closed, seamless stainless steel body with anti-capillary edge
- Assembly with Seal System sealing tape
- Available in the versions straight, for natural stone or with wall upstand for installation flush to the wall
- Compatible with all drains and covers in the TECEdrainline system

# ASSEMBLY

Secure installation in the composite seal – with the sealing classic from the Seal System composite.

## The classic composite seal with optimum solution

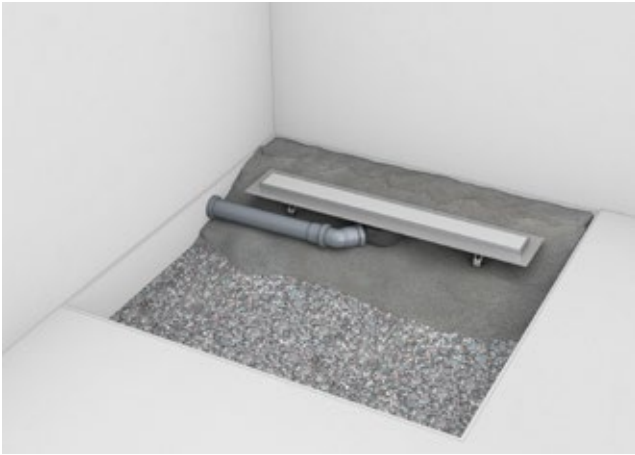
The Seal System sealing tape provided means you have one less thing to worry about during the installation: this is because thanks to the Seal System you always have absolute assurance when it comes to the compatibility of the composite seal products with the Seal System sealing tapes and the TECEdrainline shower channels. The installation of the tried and tested classic goes even smoother with the optionally available assembly feet, which make it even easier to position and align the channel.



- 1 TECEdrainline with stainless steel flange and Seal System sealing tape
- 2 TECEdrainline drain
- 3 TECEdrainline assembly feet
- 4 Edge insulation strips for sound insulation
- 5 Drainbase sound insulation mat for sound-proofing

**Step 1:** Before the shower channel is inserted, the shower area is expertly prepared by installing lateral edge insulation strips and a sound insulation mat for impact sound insulation. Now the channel is positioned in the space, aligned and connected. The height of the channel is also easy to adjust thanks to the optionally available assembly feet.

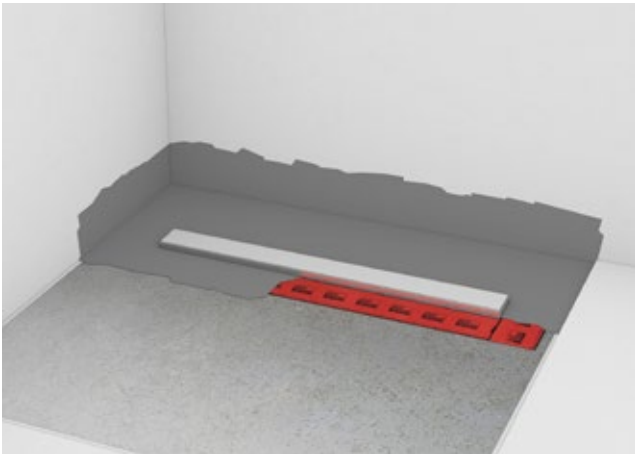




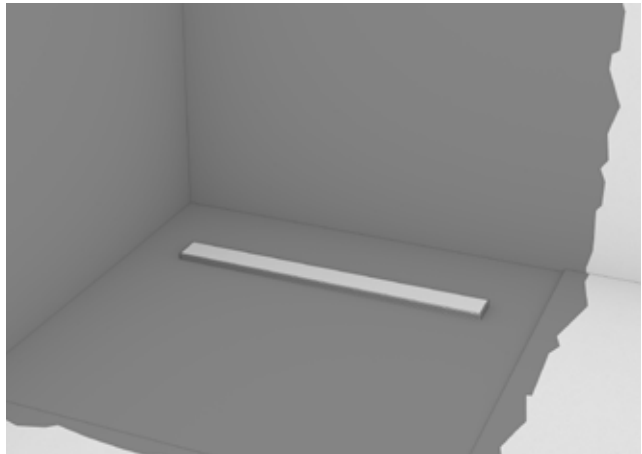
**Step 2:** The screed is installed with a gradient of 1 to 2% to the channel to ensure optimum drainage.



**Step 3:** The Seal System sealing tape is glued on in such a way that it overlaps with the shower channel flange and the screed.



**Step 4:** Afterwards, the first layer of the composite seal is applied.



**Step 5:** Now the composite seal can be completely applied.



**Step 6:** After tiling and grouting, the cover is inserted into the channel body. This concludes the assembly. To enable thorough cleaning, the cover can also be removed any time after assembly and replaced again.

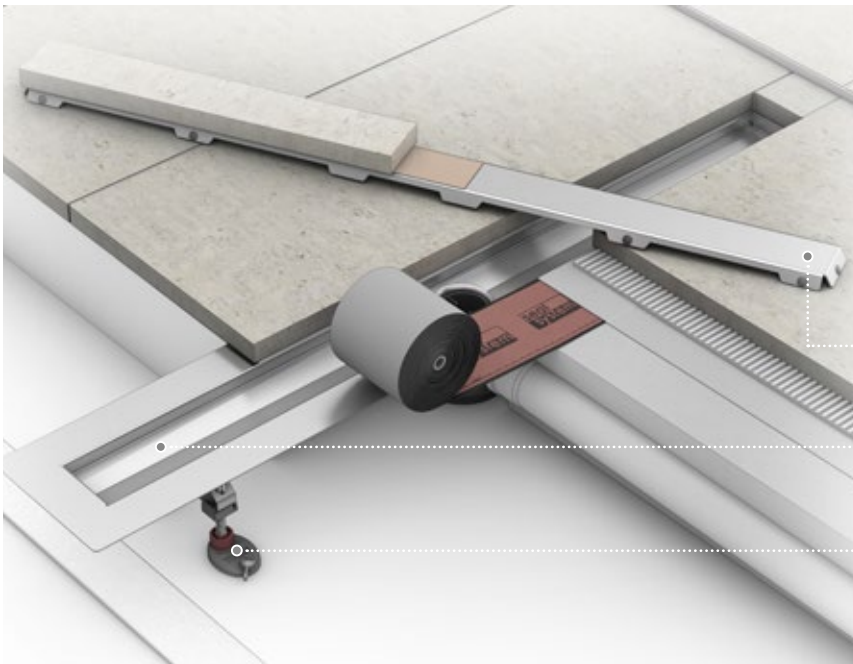
# NATURAL STONE CHANNEL

The clean solution for the floor-level shower made of natural stone – only a narrow gap marks out the shower channel, making it almost invisible in the process.



“The individual structure of the material is what really makes the character of natural stone bathrooms. This comes entirely into its own with the right technology.”

Peter Bruning, natural stone specialist



## Elegantly solved, cleanly assembled

Thanks to clever details and the matching accessories, the TECEdrainline shower channel for natural stone is also quick and reliable to install.

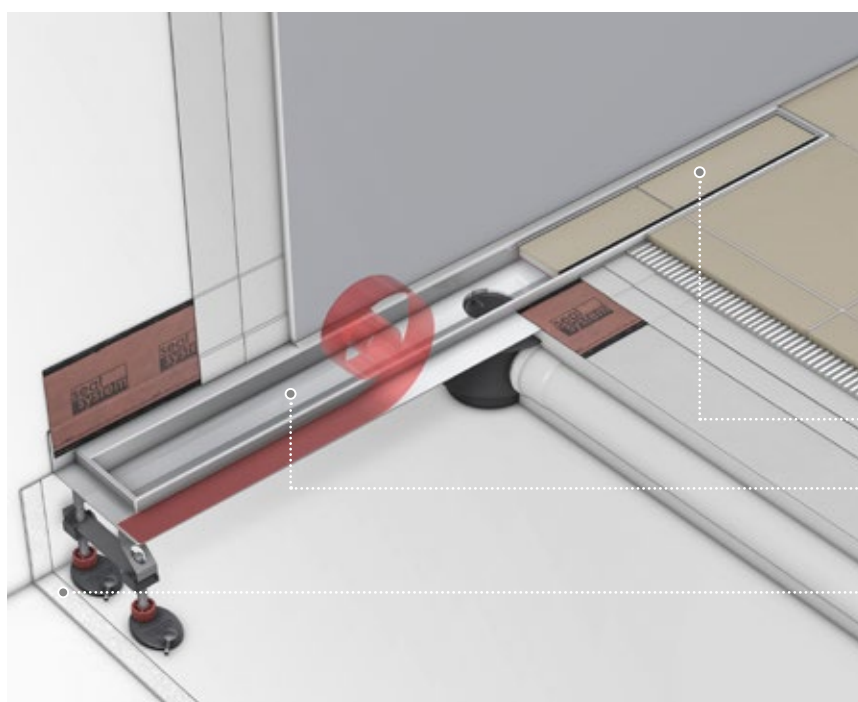
- 1 TECEdrainline support for natural stone
- 2 TECEdrainline natural stone channel with Seal System sealing tape
- 3 TECEdrainline assembly feet

An all-around narrow gap of 6 - 8 mm – efficient drainage doesn't require any more.



# TECEdrainline WITH WALL UPSTAND

Perfect for mounting flush with the wall: the connection to the tile mirror is even simpler and more flush thanks to the wall upstand.



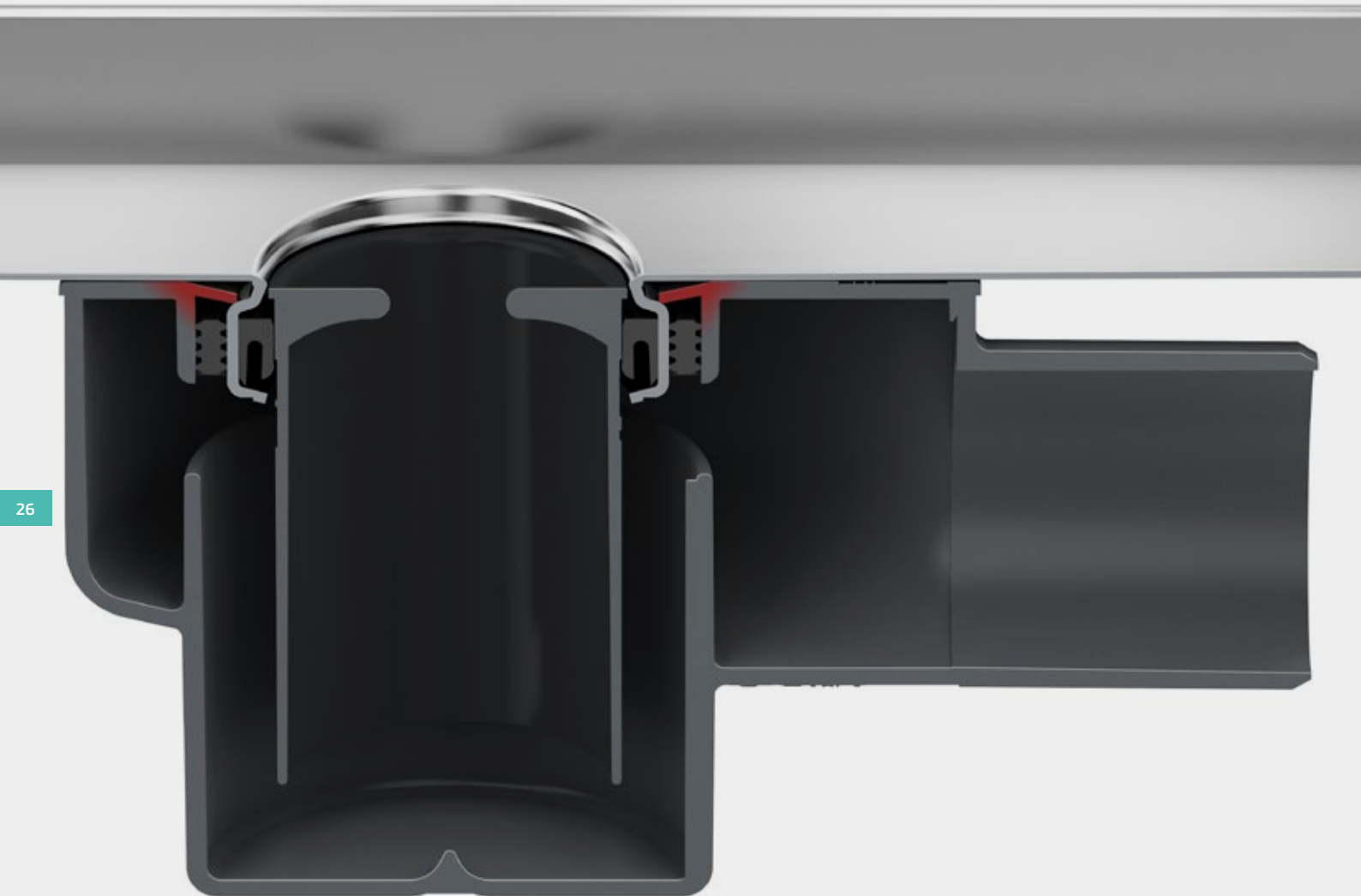
## Well-thought out right from the start

Specially designed for installing directly at the wall the channel saves time and work on the construction site, in particular when several channels of this design need to be installed.

- 1 "plate II" tileable channel
- 2 Channel body with Seal System sealing tape
- 3 Drainbase sound insulation mat



More room to play when tiling the wall with 20 mm wide tile finishing edge.



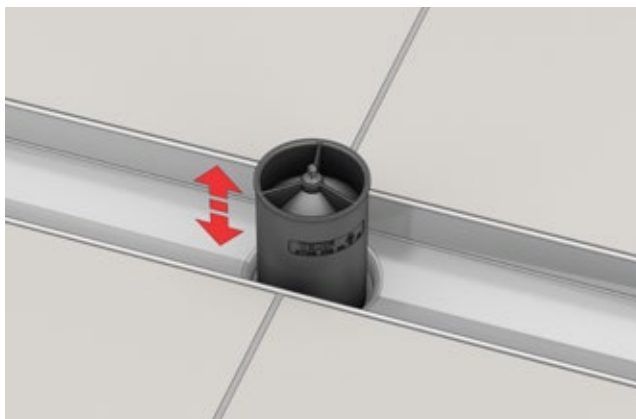
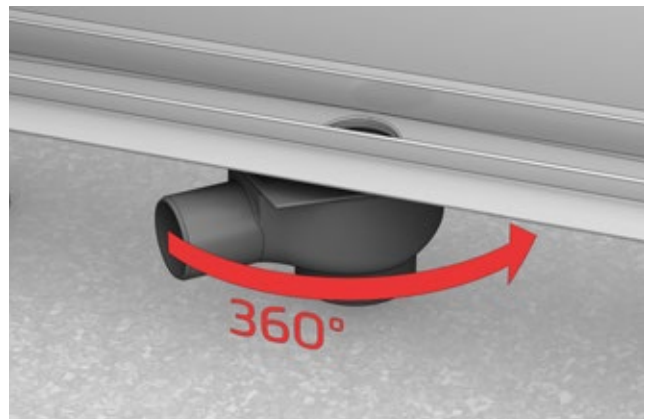
### Optimised for tough days on site

The connection of the drain and channel is fitted with a strong snap lock that simply snaps shut when attached. It creates a sealed and secure connection. Yet the drain can still be rotated.

# DRAINS AND ACCESSORIES

Flexible, hygienic, reliable: right up to the drain, TECEdrainline offers details that make the tried and tested shower channel especially attractive for fitters and customers.

**Flexible all-round:** TECEdrainline drains can rotate 360° for particularly easy connection to the drain line.



**Doubly safe against odours:**

the retrofittable membrane odour trap for TECEdrainline drains together with the sealing water ensures a dual siphon effect. It minimises the evaporation of sealing water via its membrane and locks out nasties – especially suitable for rarely used showers.

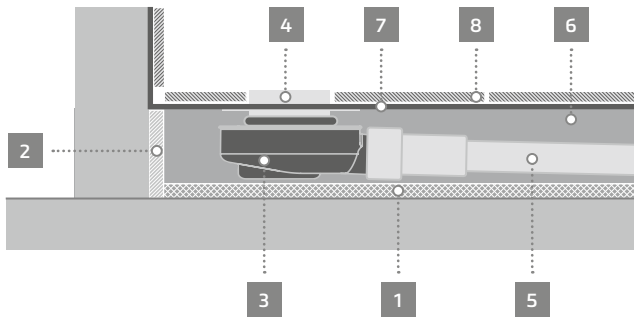
**Easy to clean:** In the case of stubborn blockages, the drain line can be cleaned with a small pipe cleaner. A marking on the inside shows the location of the drain nozzle for this purpose.





# DRAINS

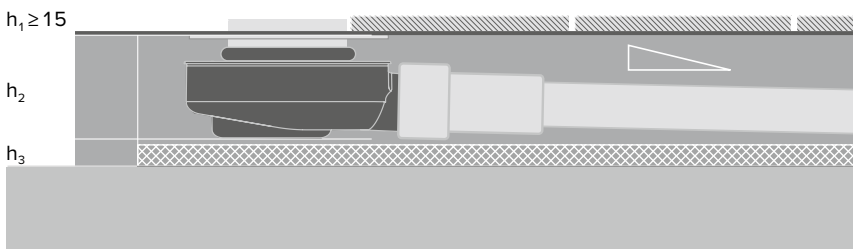
Always the right drain – for every TECEdrainline shower channel.



## Drain as required

TECEdrainline drains are available in four variants for lateral connection as well as for vertical connection to the drain line. The drain trap is selected according to the drainage capacity required and the available floor installation height. The height for the floor insulation and the drain line gradient should also be considered when making a selection.

- 1 Sound decoupling, insulation
- 2 Edge insulation strips
- 3 Drain pot
- 4 Shower channel
- 5 Drain line
- 6 Screed
- 7 Combined sealing
- 8 Thin-bed tiling



Drain	$h_2$ [mm]	Performance [l/s]
extra-flat	53	0.5
flat	80	0.8
standard	105	0.9
max.	133	1.4
vertical	52	1.3

- $h_1$  Height of anti-capillary edge (15 mm) and floor covering (including sealing and tile adhesive)
- $h_2$  Height of drain includes shower channel, up to screed upper edge
- $h_3$  Height for sound insulation or insulation and drain line gradient



**TECEdrainline drain “extra-flat”, DN 40, side drain**  
Performance 0.5 l/s for rotatable assembly with the channel body, with removable siphon immersion pipe

**TECEdrainline drain “flat”, DN 50, side drain**  
Performance 0.8 l/s  
Drain rotates 360°, with removable siphon immersion pipe

**TECEdrainline drain “standard”, DN 50, side drain**  
Performance 0.9 l/s,  
drain rotates 360°, with removable siphon immersion pipe

**TECEdrainline drain “max”, DN 70 side drain**  
Performance 1.4 l/s,  
drain rotates 360°, with removable siphon immersion pipe

**TECEdrainline drain “vertical”, DN 50**  
Performance 1.3 l/s,  
drain rotates 360°, with removable siphon immersion pipe

# ACCESSORIES

The TECEdrainline range offers a wide assortment of accessories for easy assembly and functional enhancement.



## Assembly feet

Assembly feet to make it easy to adjust the height of the channel body and fix the position during shell assembly. Available in the heights 94 to 142 mm and 139 to 182 mm.



## Membrane odour trap

Plastic immersion pipe with inner sealing lip membrane as protection against evaporation, barrier against odour and vermin.



## FireStop fire protection set

For direct assembly on the TECEdrainline DN 50 vertical drain, for highly fire resistant partitioning of ceiling bushings in solid ceilings.



## Drainbase sound insulation mat

Sound insulation mat for assembly under floating screed in the area of floor-level showers or throughout the bathroom. To reduce plumbing noises and impact sounds and for impact sound insulation for renovations and new buildings.



## Hair trap

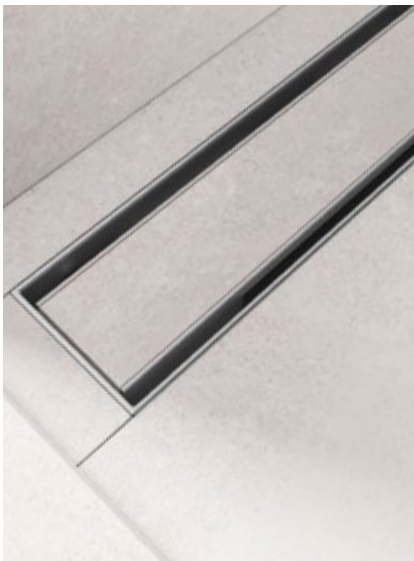
Hair trap made of stainless steel, for fitting into the TECEdrainline channel body.



# DESIGN COVERS

They fit perfectly with any TECEdrainline shower channel – and in any bathroom. The diverse design covers for shower channels in the TECEdrainline range.

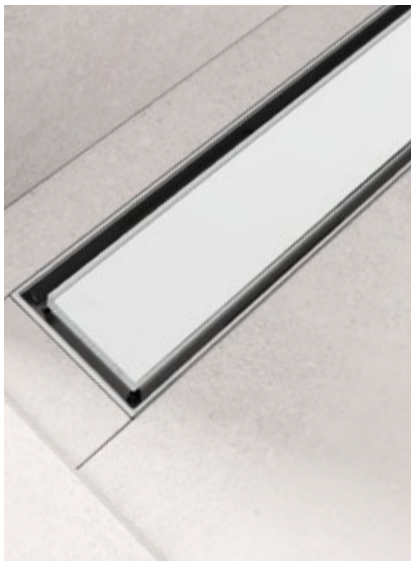
1



## Harmonious

Shower drainage that is as good as invisible: Thanks to the “plate” tileable channel, the shower channel can be fitted into the flooring almost seamlessly.

2



## Clearly on trend

With its glass material, this shower channel cover skilfully reflects the look of other glass accents in the bathroom – such as toilet flush plates, washstands or accessories. And achieves a harmonious overall look in the process.

3



## Universal

Fits in any bathroom: design grates made of brushed or polished stainless steel always appear high-quality and impress with their low-maintenance and durable character.

- 1 “plate II” version
- 2 Glass version
- 3 Stainless steel version

# DESIGN COVER IN NEW DIVERSITY.

From glass to stone – with TECEdrainline design covers you'll find the right solution for any bathroom.



"steel II"

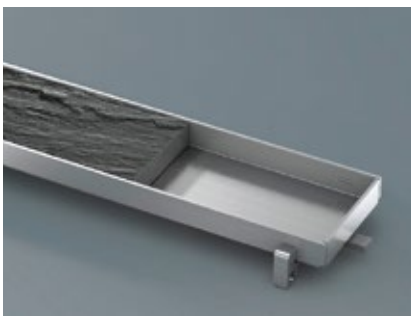


White glass

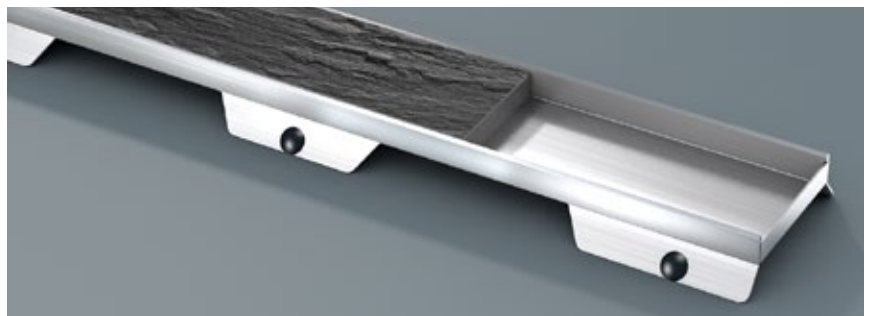
Green glass



Black glass



"plate" tileable channel

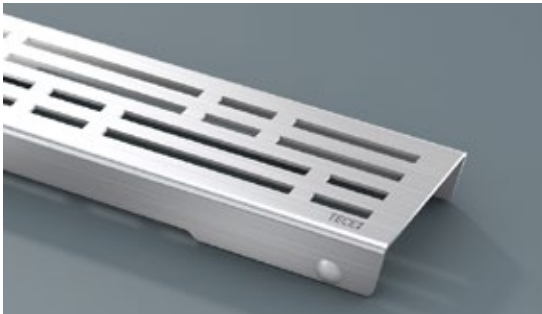


"plate II" tileable channel



## Combination talent

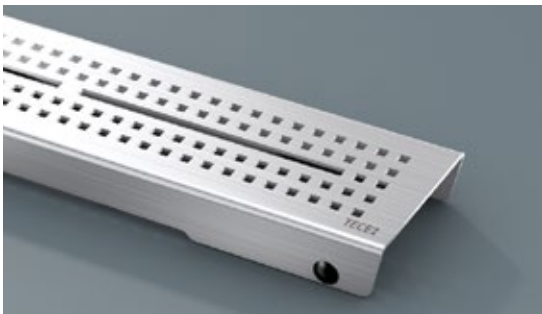
TECEdrainline design covers are available in nominal lengths from 700 to 1,500 mm and can be combined with all TECEdrainline channels of the same nominal lengths. The design cover, drain channel and drain are put together individually and ordered separately – for unique flexibility.



“basic”



“drops”



“quadratum”



“organic”



Natural stone base\*

\* TECEdrainline shower channel for natural stone and natural stone support are delivered as a set. The drain is ordered separately.

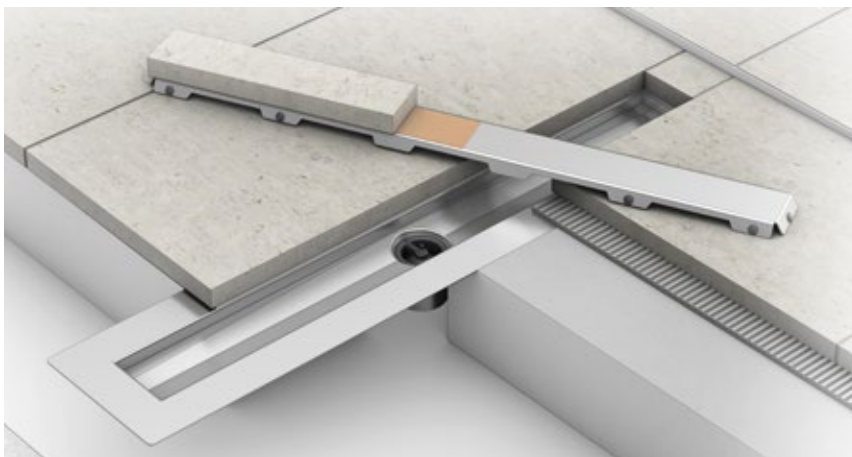
# TECEshowerline

With the two new TECEshowerline shower channel sets  
you install design and quality

## Hygienic, proven, versatile.

The TECeshowerline shower channel sets are designed with a DN 50 outlet nozzle that is inserted into the existing waste water pipe on site.

You can add the TECE hair trap for shower channels to the TECeshowerline shower channel sets, by simply placing it on the integrated odour trap.



Optimal draining: even if the installation is slightly inclined, the water drainage is improved thanks to the integrated 3D slope, which minimises deposits in the channel body.

### Protected against sewer gases and vermin

The new TECE odour trap reliably prevents sewer gases from escaping while at the same time providing a safe barrier against unwanted vermin. In addition, with a drainage capacity of at least 0.8 l/s, it offers the optimal, invisible connection point between the designer shower area and the drainage system. The new odour trap fits perfectly into every TECeshowerline shower channel and can easily be combined with the optional hair trap. This is TECE quality you can rely on.



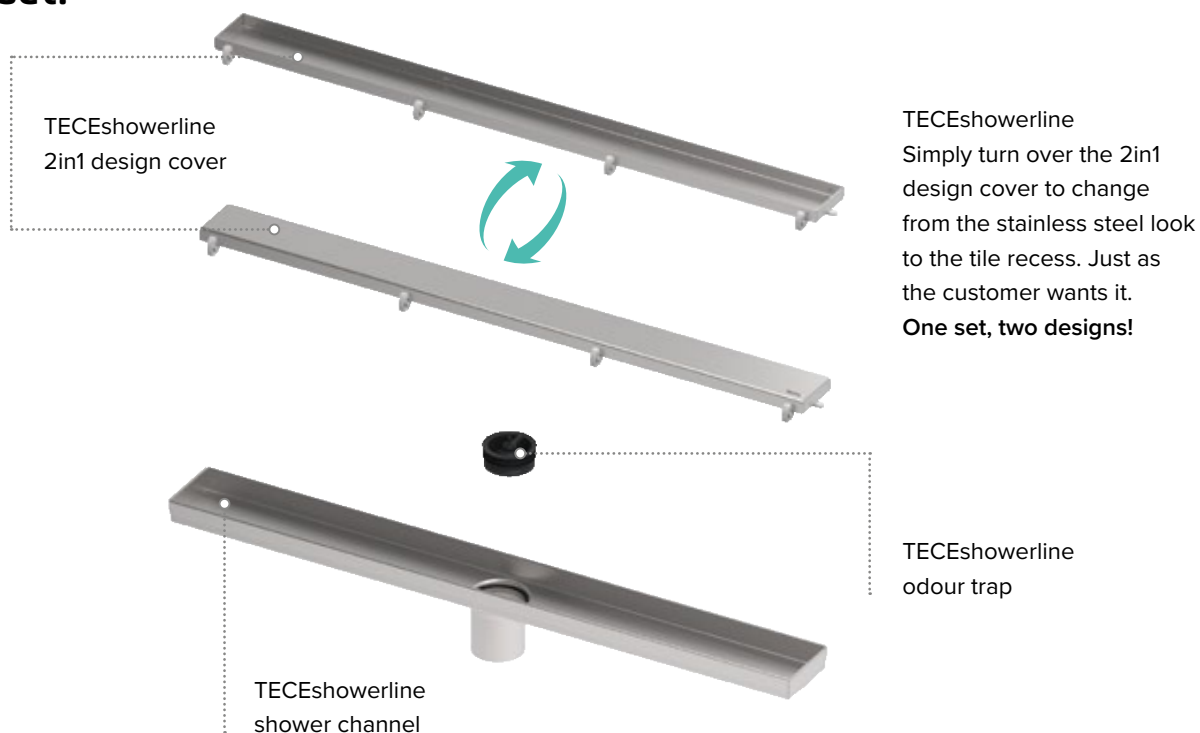
**GERMAN QUALITY**  
made for you

### What distinguishes all TECeshowerline shower channels:

- Every TECeshowerline shower channel offers maximum hygiene and cleanliness thanks to the integrated three-dimensional slope in the stainless steel base body.
- Of course, all TECEdrainline covers also match the TECeshowerline shower channels.
- Optionally, you can add the TECE hair trap to the TECE odour trap included in the set.
- The new sets are available in lengths of 700, 800 and 900 mm.

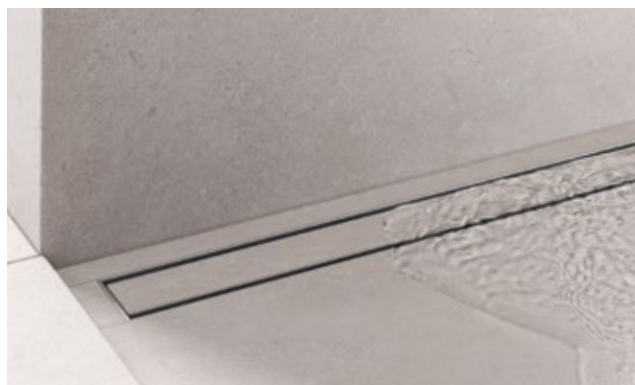
# 2IN1 DESIGN COVER

## The set:



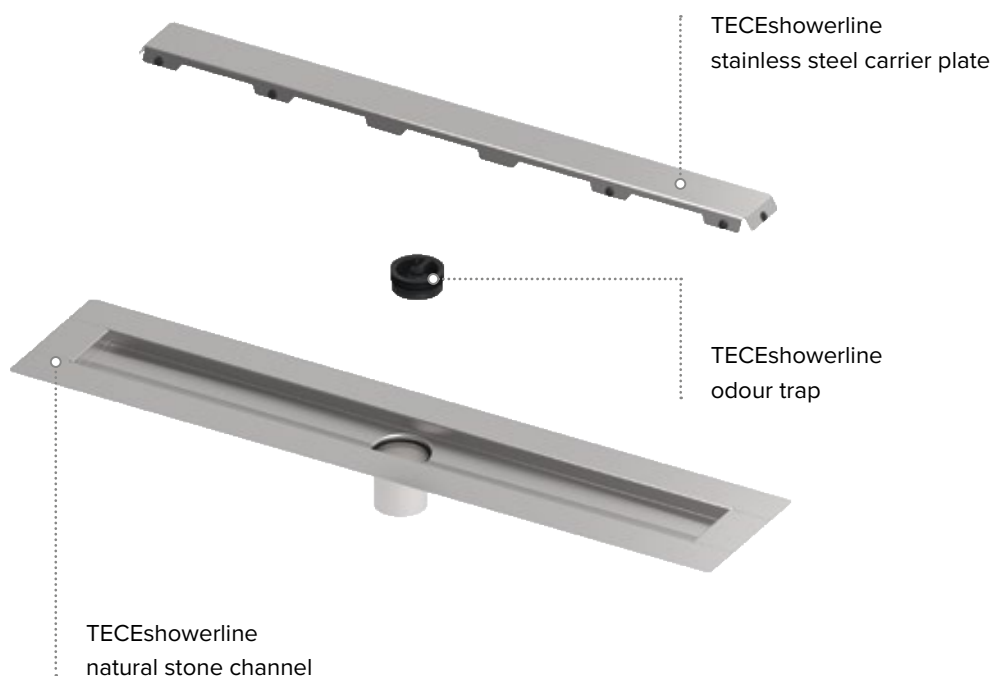
### Decide on site

Use the stainless steel look to obtain a high-quality eye-catcher in your shower area. Alternatively, you can opt for the tile recess for a narrow stainless steel frame that supports your design concept.



# NATURAL STONE CHANNEL

## The set:



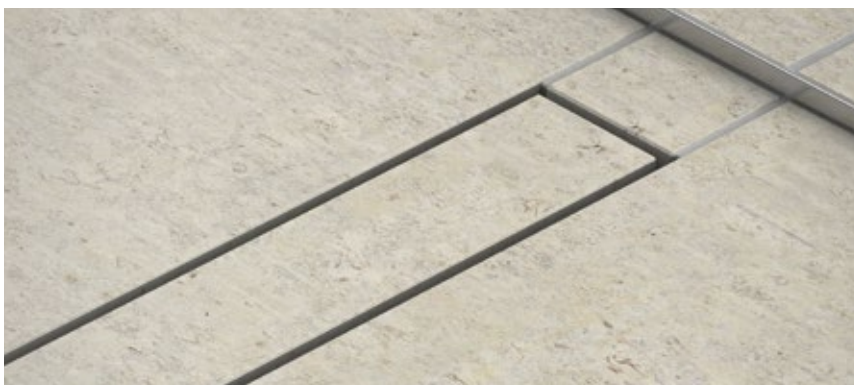
37

## The technology:

Thanks to clever details, the TECeshowerline shower channel for natural stone can be installed quickly and safely. The high-quality stainless steel flange offers a large area for receiving a sealing tape.

## The result:

An all-around narrow gap of 6 to 8 mm – that's all you need to ensure efficient drainage of the floor-level shower area.





TECE DRAINAGE SYSTEMS

# TECEdrainprofile

The recessed shower profile

## Elegantly solved

Drainage reduced to the essential – this is how the elegant stainless steel profile appears at first glance. It's only the intelligent details in this sophisticated design that make the simple understatement in the shower area possible, such as the inner

gradient that ensures optimum drainage. Or the length-adjustable material that allows perfect recessed integration across the entire width of the shower area with no lateral tile pieces. As easy as it is brilliant. That is TECEdrainprofile.



# EVERYTHING FLOWS.

Everything runs smoothly where there are no corners and edges to interrupt the flow. For the eye as well as for hygiene.

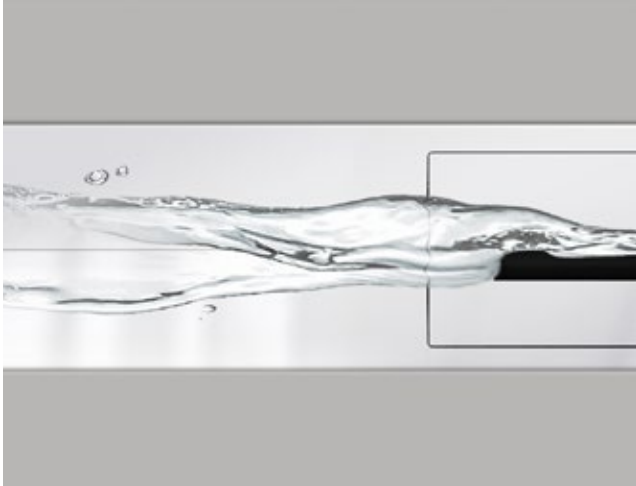


## Perfectly integrated

The stainless steel profile is available in different lengths and can afterwards be shortened to the desired length with millimetre precision. This removes the need for using lateral tile pieces – a particular advantage with large format tiles and natural stone.

## Clean in no time

How do we picture a shower profile? Attractive, practical and with properties that decidedly simplify cleaning. Like TECEdrainprofile.

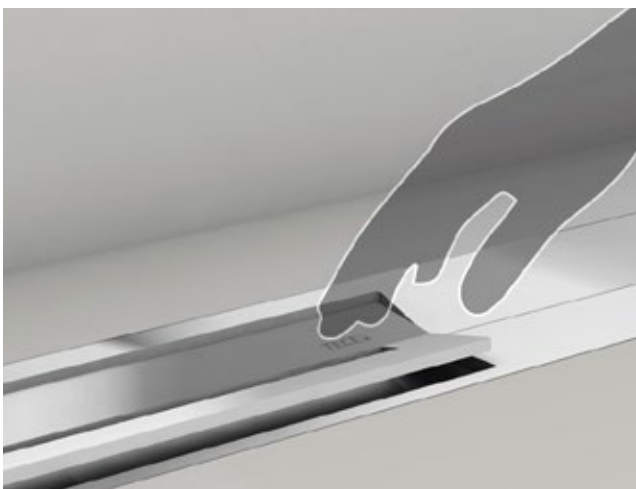
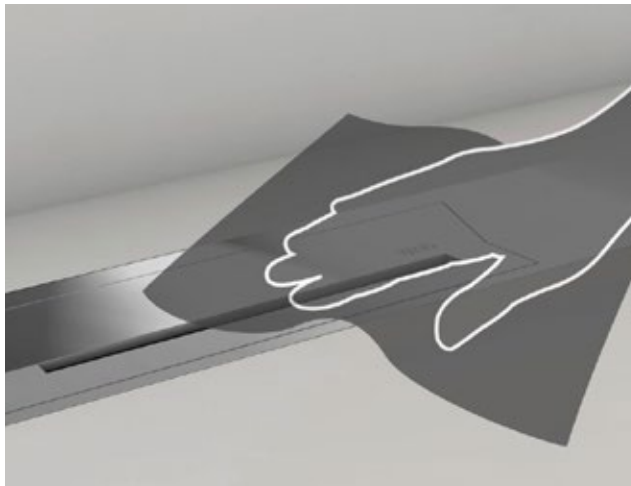


### With self-cleaning effect

The inner gradient optimises drainage of water and the self-cleaning effect, thus also reducing the amount of cleaning required. Mounting tolerances are also increased.

### By the simplest means

Rinse, wipe, done: a simple cloth is enough to clean the low-maintenance stainless steel shower profile.



### With push function

The profile lid can be folded up with a press of the finger and removed without help – for easy access to the drain line and for removing the odour trap.

# MODULAR SYSTEM

A length-adjustable shower profile and one of two drains – elegant shower area drainage doesn't need anything else.

## TECEdrainprofile total package

A TECEdrainprofile shower profile always consists of a:

- A** stainless steel profile
- B** drain

### **A** Stainless steel profile



Stainless steel profiles for TECEdrainprofile are available in polished and brushed versions. New: TECEdrainprofile stainless steel profiles with innovative PVD surface finishes in three current colours (from page 50).



Polished stainless steel

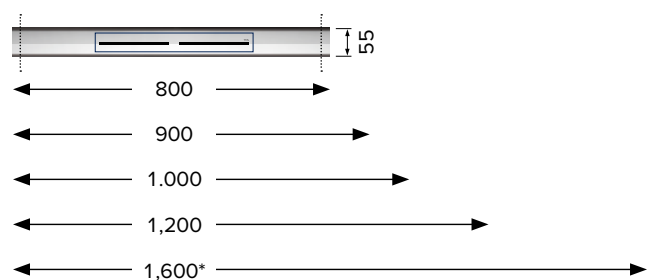


Brushed stainless steel



Brushed stainless steel, black

TECEdrainprofile is available in five lengths from 800 to 1,600\* mm. The stainless steel profile can be shortened on both sides and be adapted to the dimensions of the shower area.



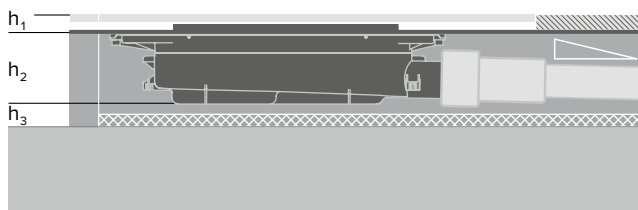
\* TECEdrainprofile in 1,600 mm length is only available in the brushed stainless steel version.



**B** Drain



The assortment of drains in the TECEdrainprofile range consists of a flat drain and a “standard” drain. The factory fitted Seal System sealing sleeve is included in the scope of delivery. It seals safe and tight with a simple click.



- $h_1$  Height of shower profile / floor covering 8 to 25 mm (includes adhesive bed)
- $h_2$  Height of drain to upper edge of screed
- $h_3$  Height for insulation or sound insulation and drain line gradient

Drain	$h_2$ [mm]	Performance [l/s]
flat	65	$\geq 0.46 / \geq 0.53^*$
standard	95	$\geq 0.6 / \geq 0.8^*$

\* With 10/20 mm build-up height in accordance with EN 1253-1

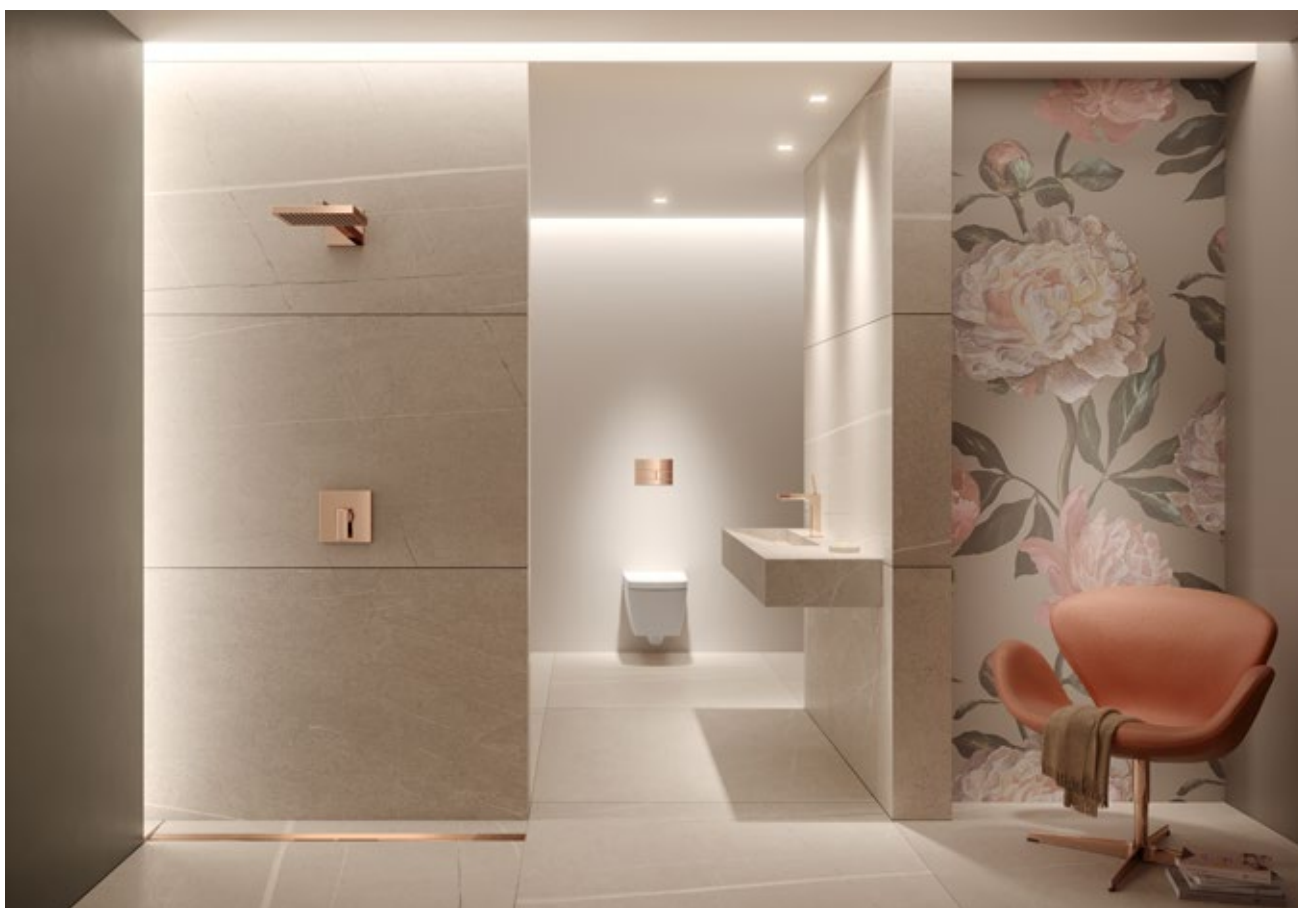
**Accessories**

Assembly feet, Drainbase sound insulation mat and a hair trap add to the range of the TECEdrainprofile modular system.



# ADD REFINED TOUCHES.

New refined surfaces are finding more and more applications in the world of bathrooms. With shower profiles and flush plates with PVD surfaces to match the current collections of bathroom fittings, the bathroom design results in a harmonious overall look.



## **In perfect harmony**

From the modern loft character through to the atmospheric boudoir. Flush plates and shower profiles complement current bathroom fittings for a comprehensively harmonious overall look.



## It's about the details

TECE offers the new PVD surface finishes for toilet flush plates of the TECEsquare metal series and the TECEdrainprofile recessed shower profile. These can be combined with the trend collections from leading fitting manufacturers and are colour-coordinated with the finishes from hansgrohe/AXOR. The result: Harmonious bathroom planning down to the detail.



Polished Gold Optic



Brushed Gold Optic



Polished Red Gold



Brushed Red Gold



Polished Black Chrome



Brushed Black Chrome



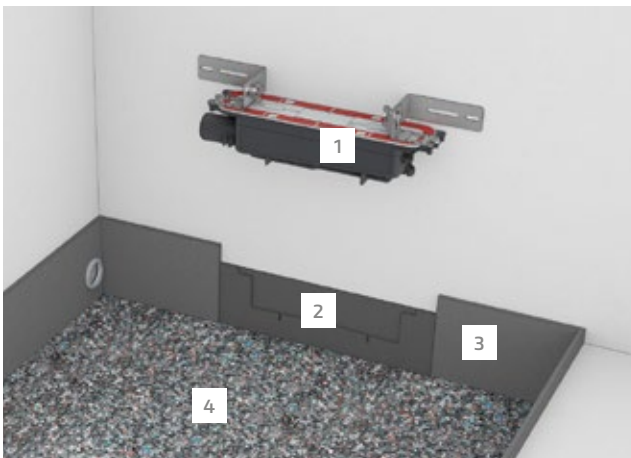
### Boldly refined

The visible stainless steel parts of TECEsquare metal and TECEdrainprofile are finished with PVD technology. With a result that is clear to see: the coated surfaces demonstrate both excellent colour quality and shine as well as being extra abrasion and scratch-resistant.

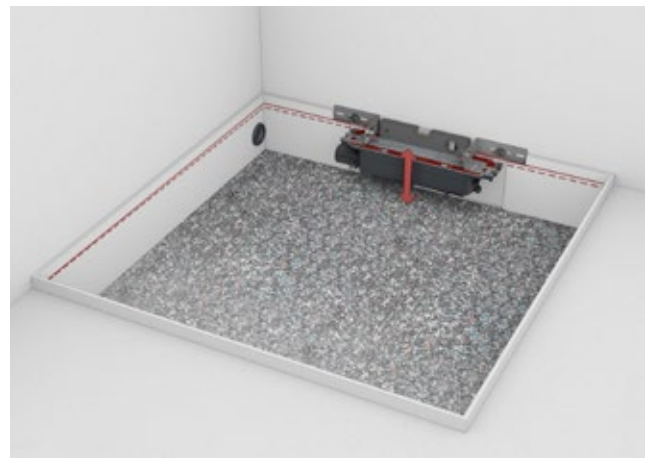
# ASSEMBLY

Cut to length, insert, adjust – recessed assembly in no time.

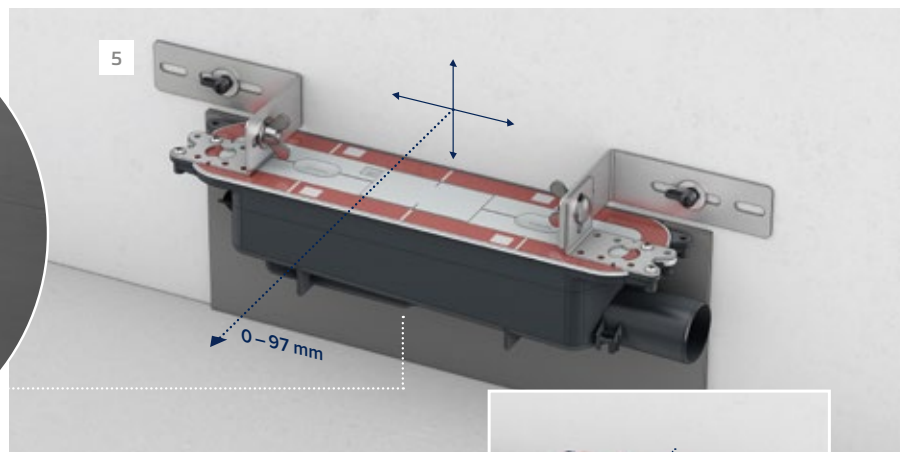
One special feature of the TECEdrainprofile is the length-adjustable stainless steel profile, which can be adapted precisely to the dimensions of the shower area. Different thicknesses of wall and floor covers are also quickly covered thanks to fine adjustment in all horizontal and vertical directions. Another special feature: the factory fitted Seal System sealing sleeve. This allows a water-tight connection – simply by clicking in.



**Step 1:** Before the drain is inserted, the shower area is expertly prepared by installing the sound insulation strip, the edge insulation strip and a sound insulation mat for impact sound insulation.



**Step 2:** Adjusting the height of the drain is made significantly easier by the optionally available assembly feet.



- 1 TECEdrainprofile drain
- 2 Sound insulation for TECEdrainprofile drain
- 3 Edge insulation strip for sound insulation
- 4 Drainbase sound insulation mat for impact sound-proofing
- 5 Installation bracket on the wall: After the screed has been laid, the brackets can be easily removed for use on the next construction site.
- 6 Installation bracket on the floor: The brackets remain in the screed.



**Step 3:** The screed is installed with a gradient of 1 to 2% to the wall. The factory fitted bare-wall protection protects the drain from damage and dirt in the process.



**Step 4:** Sealed with a click: once the screed has been installed, the first part of the bare-wall protection is removed from the drain and the sealing sleeve supplied is inserted via the click mechanism. The shower area can now be sealed and tiled.



**Step 5:** The stainless steel is installed recessed and can be shortened on both sides where required. This means it can be precisely tailored to the width of the shower area.



**Step 6:** The shower profile can still be finely adjusted both horizontally and vertically even after the drain is mounted in the screed and can be adjusted to different thicknesses of wall and floor covers.



**Step 7:** Thanks to the "push function", even when installed the profile lid can be removed by hand without any tools for cleaning of the drain.



**Step 8:** The odour traps can also be easily removed for thorough cleaning of the shower profile.



TECE DRAINAGE SYSTEMS

# TECEdrainpoint S

Drainage right to the point



## The practical point drain

Drainage doesn't just happen in the shower. TECEdrainpoint S integrates reliably and stylishly wherever a drainage solution is intended to drain water apart from the shower area.

The point drain is available in combinations for all application areas – freely assembled in the storage-friendly modular system or especially fast and practical in a complete set for the most standard applications. Practical. Point.



# TO THE POINT.

Whether as a central drainage element or close to the wall – TECEdrainpoint S playfully integrates into any space and impresses as an innovative and versatile system solution.



## Simply hygienic

The drain body of TECEdrainpoint S comes with an odour trap that can be easily removed and cleaned at any time. The design grates then can be placed back over the drain body or screwed in – with the latter being a preferred version especially for the public sector.



## Truly special

Whether small or large tile format: in point drainage, the necessary gradient areas integrate harmoniously into the tiling. The floor-level covers come as a design grate made of easy to clean polished stainless steel in two attractive designs or a tile base with or without frames. For perfect integration in the floor covering – especially with natural stone and stoneware.



1



2



3



4

- 1 Tileable channel "plate"
- 2 Frameless tile base
- 3 Stainless steel design grate
- 4 Stainless steel design grate "quadratum"

# MODULAR SYSTEM

A modular system instead of confusing complete sets.

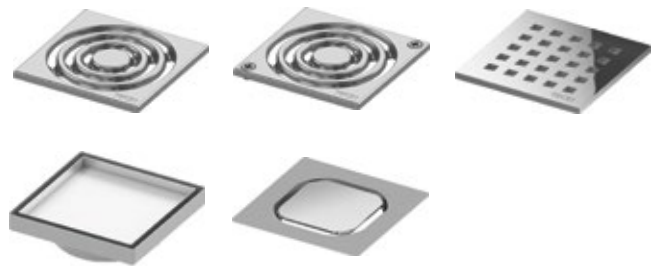
## TECEdrainpoint S total package

A TECEdrainpoint S point drainage always consists of a:

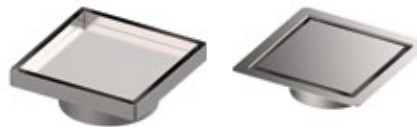
- A design grate or tile base
- B drain top
- C drain

### A Design grate or tile base

#### TECEdrainpoint S



#### TECEshowerpoint



Covers for TECEdrainpoint S are available in stainless steel in two designs and sizes (100 x 100 mm / 150 x 150 mm) and also as screwed variants. In the case of a cover with tiles, the tile piece is placed directly on the frameless tile base or in the tileable channel.

Matching grate frame and tileable base made of stainless steel are also available for TECEshowerpoint.



## Accessories

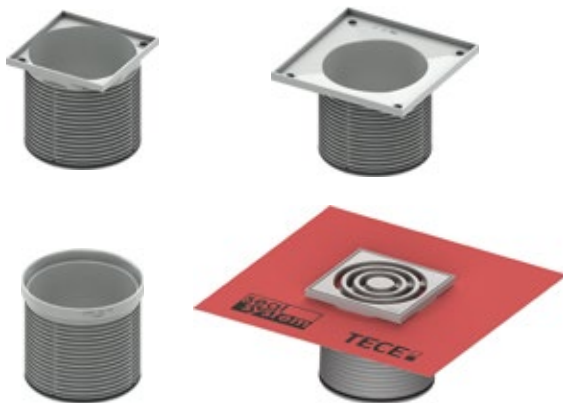
TECEdrainpoint S point drains can be added to with separately ordered membrane odour trap and hair trap. Additionally, the TECEdrainpoint S range offers accessories such as assembly aids and fire protection.





Six drain sets are available in a complete pack for the most common applications.

**B** Drain top



Drain tops for TECEdrainpoint S are available with a plastic or stainless steel grate frame. TECEdrainpoint S plastic grate frame is including design grate and factory-fitted sealing sleeve available.

**C** Drain



The assortment of drains in the TECEdrainpoint S range comprises drains for various installation heights and for DN 50/70/100 drain pipes. All drains are equipped with a Seal System universal flange.



TECEdrainpoint S drain set 114 extra-flat with factory-fitted Seal System sealing sleeve

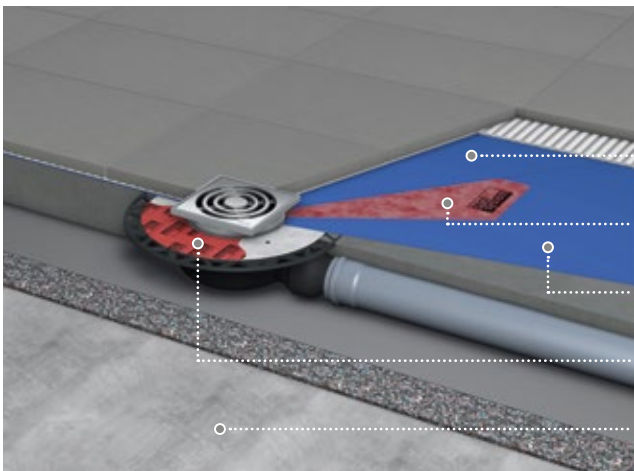
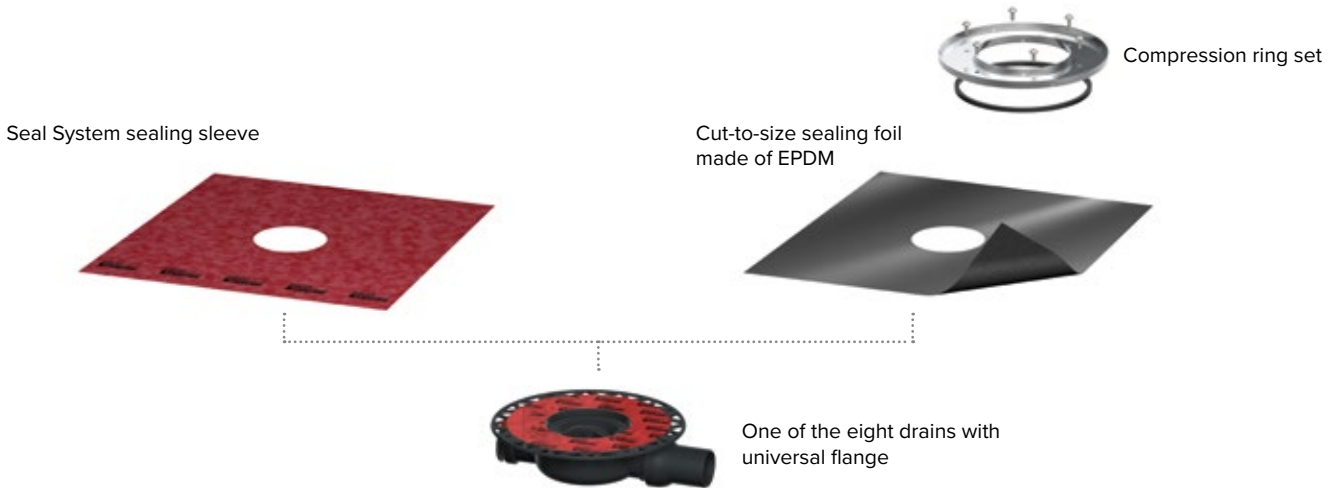
**Factory-fitted Seal System sealing sleeve for the modular system**

The factory-fitted Seal System sealing sleeve has already impressed in every respect in the TECEdrainline shower channel. That is why TECE now offer the extra-flat drain set 114 and the plastic grate frame from the TECEdrainpoint range with a factory-fitted sealing sleeve. This ensures a DIN 18534-compliant connection to the tiler's composite seal.

# ASSEMBLY

## One flange for all situations

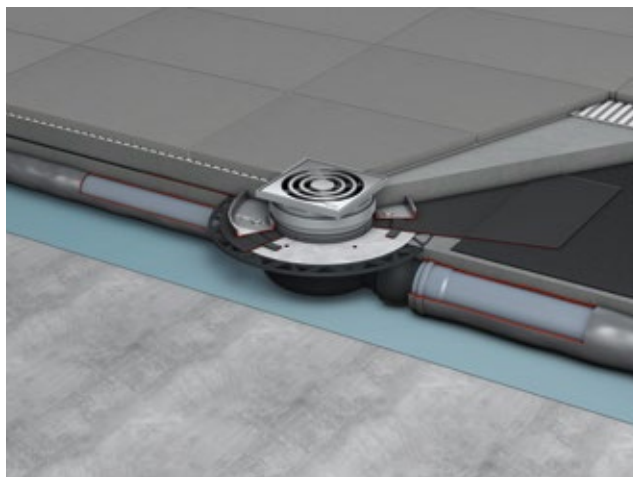
The Seal System universal flange enables the connection of two sealing variants with a single flange. Composite seals or adhesive flange connections can be made, e.g. for connection of bitumen membrane sheets.



Examples for the design of a composite seal with Seal System sealing sleeve and a tested sealing product:

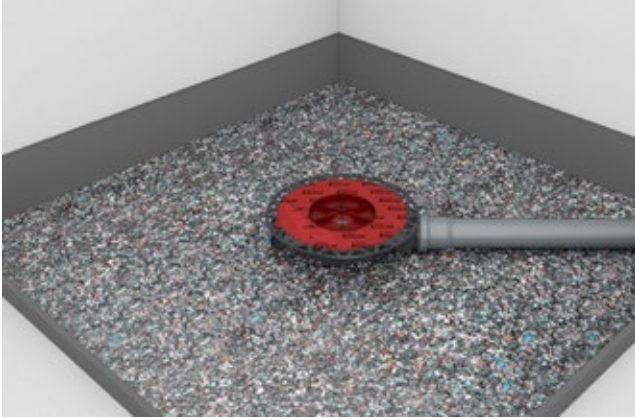
- 1 Second layer composite seal
- 2 Seal System sealing sleeve
- 3 First layer composite seal
- 4 Protective film universal flange
- 5 Screed

Example for the seal of a TECEdrainpoint S drain with adhesive flange connection and connection to strip seals.





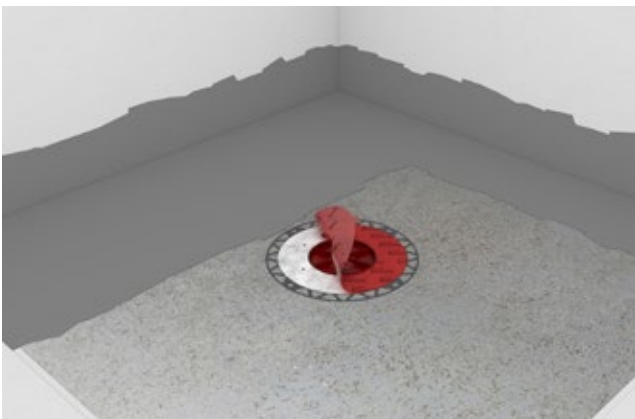
## Assembly with Seal System sealing sleeve in a composite seal



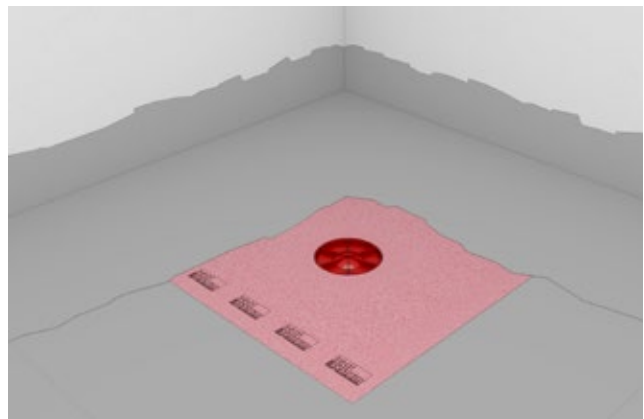
**Step 1:** Before the drain is inserted and connected, the base is expertly prepared via sound insulation measures.



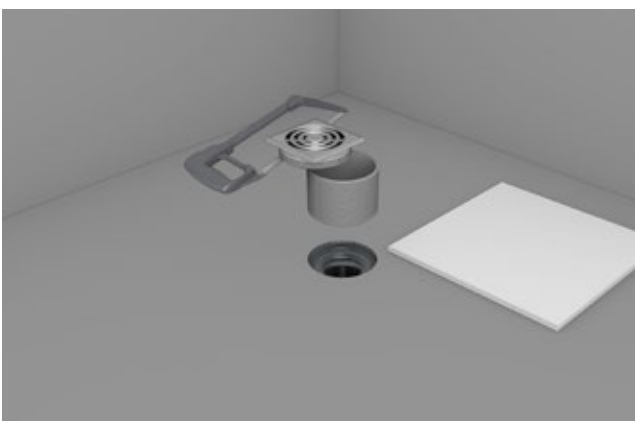
**Step 2:** The area is now filled with screed.



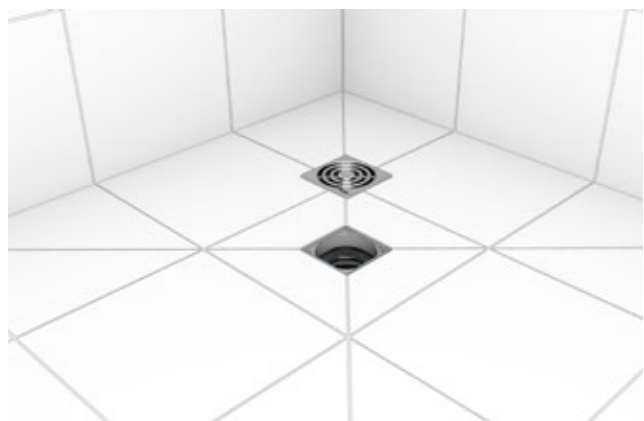
**Step 3:** The protective foil is removed from the drain to add the first layer of the composite seal.



**Step 4:** The Seal System sealing sleeve is inserted into the first coat of the composite seal while it is still wet and then another coat is added to this.



**Step 5:** Once the composite seal has been completely applied, the drain top is adjusted to the height of the floor cover.



**Step 6:** After tiling and grouting, the cover is inserted. This concludes the assembly.

TECE DRAINAGE SYSTEMS

# QUALITY ASSURANCE

Proven reliability in the system

## All-round protection

We leave nothing to chance so you can completely rely on our products. That's why our quality assurance at TECE goes through many steps. Starting with testing of the materials to inspection of the individual manufacturing steps through to testing of the finished product.

And because safety for us means more than the sum of safe components, we not only test our products individually but in the system too. Safety in the system that you can rely on – this is TECE.

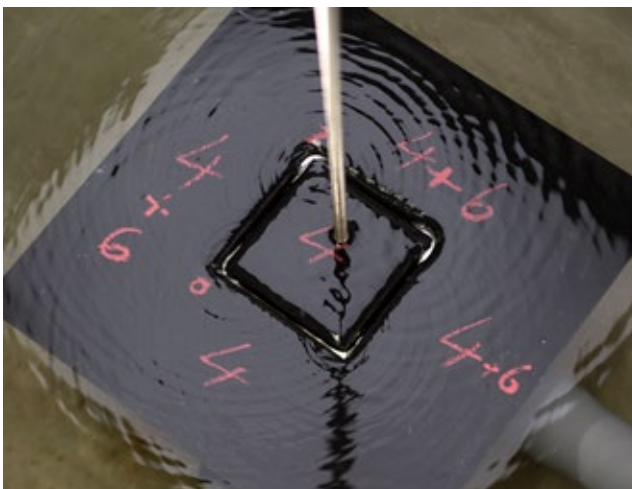
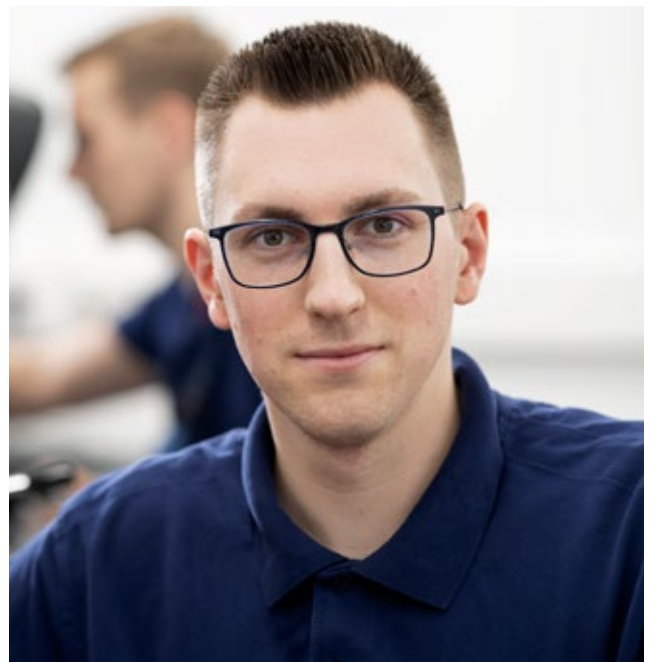


# LABORATORY HARDNESS TEST.

At TECE, it's not just the individual components that are tested for functional safety – the interaction of all the components in the entire system is also inspected.

“ Fitters, planners and tilers must take responsibility for their work in front of customers. Our testing gives them the assurance they need.”

Colin Tschirpke, Quality Assurance employee

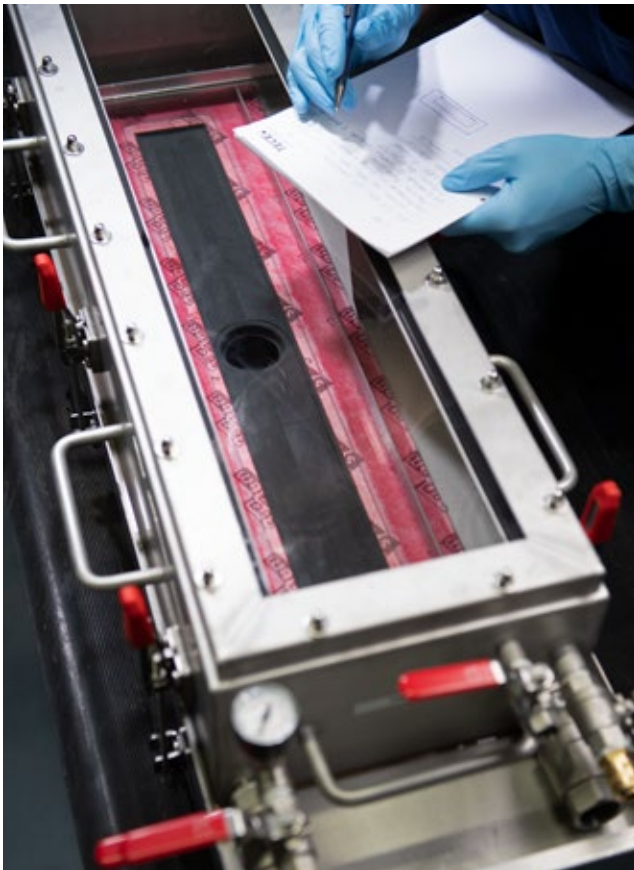


## Performance test

The drainage capacity is measured in numerous tests. In line with EN 1253 this is specified at 10 and 20 mm retention height.

## Pushed to the limits

TECE runs its own laboratory with automated test benches for fatigue and hardness tests. This is where the minimum values required by respective standards are monitored, and, beyond this, the actual application limits of products and systems are determined.



### Under the hood

To test the tightness of the factory fitted sealing sleeve, random samples from serial production are sent to the vacuum hood at the immersion station. If no air bubbles are visible after a vacuum is generated, the connection between the sealing sleeve and channel is tight.

### Highly sensitive

A highly sensitive measurement sensor tests the dimensional accuracy of a TECEdrainprofile shower profile. Deviations beyond tolerances are thus detected reliably.





# SOUND INSULATION AND FIRE PROTECTION

Sensitive topics, reliable solutions



## Consistently safe-guarded

System solutions are tested and certified in the interests of all the parties involved – planners, building operators or users. To guarantee the highest safety standards, TECE always gives the issue the necessary attention. Especially where sound insulation and fire protection are concerned.

Specific requirements, including for the highly sensitive areas of sound insulation and fire protection, are already considered in TECE product and system solutions. The results of independent testing bodies regularly confirm the high quality of TECE system solutions – and that applies on an international scale.



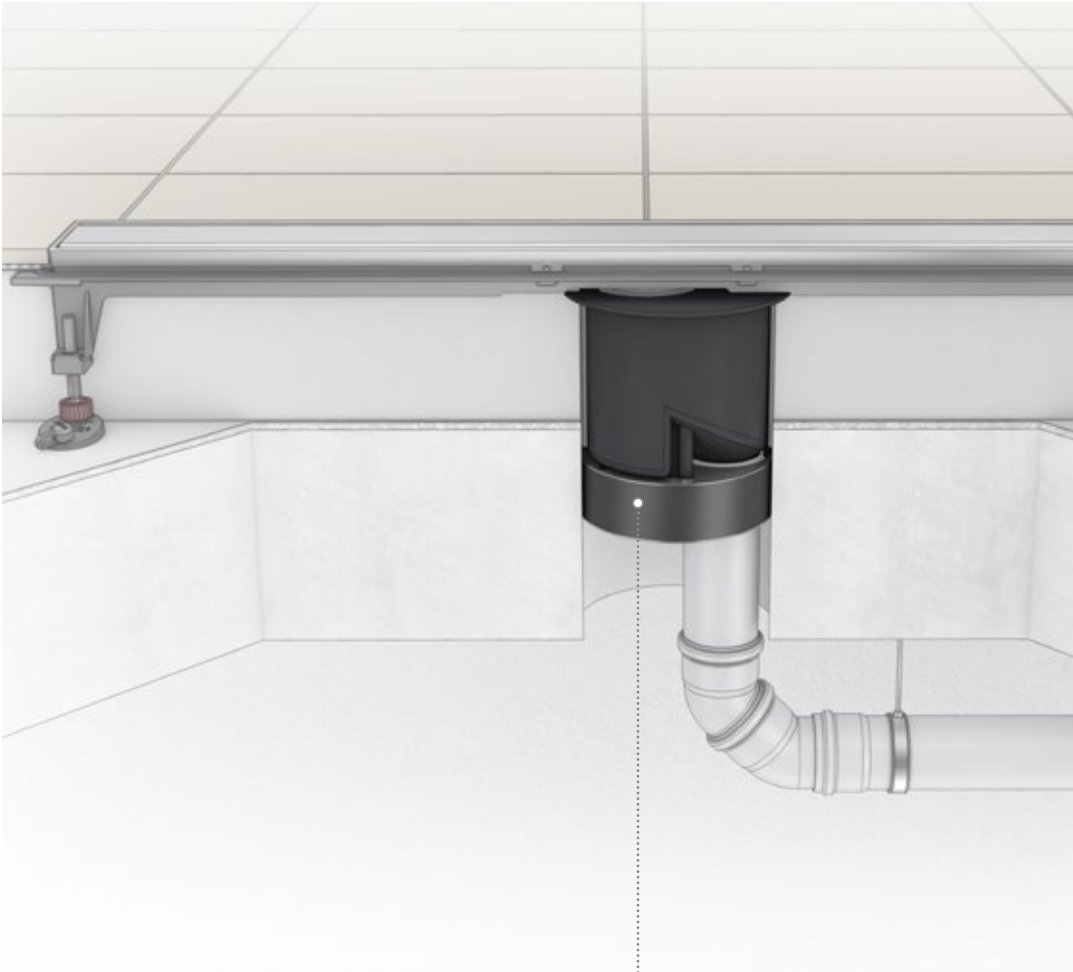
# RELIABLE AND QUIET – NO COMPROMISES.

## Tested sound insulation with Drainbase sound insulation mat

Although just a mere 6 mm thick, the Drainbase sound insulation mat makes it possible to fulfil the enhanced sound-proofing requirements specified by DIN 4109 and VDI 4100 (SSt III). The mat is laid below the screed in the shower area or in the entire bathroom. With Drainbase, the compression is only 0.6 mm at a load of 15 t/m<sup>2</sup>. As a result, the usual screed lowering can be kept to a minimum. Compared to conventional sound insulation mats, most of which are several centimetres thick, this mat ensures sound insulation even at low floor projection heights. The Drainbase sound insulation mat is therefore also ideal for renovations.



- 1 Assembly feet with sound insulation caps
- 2 Drainbase sound insulation mat
- 3 Screed edge insulation strip



In the event of fire, the intumescent material of the fire protection sleeve expands and closes the drain, safely protecting it from fire and smoke.



### **Reliable, simple, fast – the Firestop fire protection set**

The TECEdrainline and TECEdrainpoint S FireStop EI 120-U/C fire protection sets are a safe and innovative fire protection solution for the vertical drain. The fire protection sleeve is simply screwed on below the drain, done! The usual filling of the drill hole is not necessary with the TECE fire protection set.

The FireStop fire protection set is tested and has building inspectorate approval.

# GET TO KNOW US BETTER.

TECE provides expertise in further areas of competence. Visit [www.tece.com](http://www.tece.com) where you can find detailed information about the company, products and services.



## Installation & Assembly

Straightforward, stress-free work. In this brochure, professional tradesmen can discover more about well-thought-out products, quality, services and the TECE Academy.



## Design & Creation

Freedom in design. The themes of Space & Architecture, Individuality & Design and Function & Technology are aimed primarily at architects and bathroom planners.



## Project & Planning

Reliability in terms of time, legal aspects and economic efficiency. This brochure is intended for planners, architects and investors.



