

NEW!



**GRANDIS E kitchen faucet.
Contact-free hygiene – also in the kitchen.
By SCHELL.**

**New for
the kitchen.
Compatible with
SWS/SMART.SWS
and SSC.**



Contact-free operation



Stagnation flush



Maintains drinking water quality



BREEAM- and LEED-ready



SWS-ready



SSC-ready



Hot water stop



Flushing independent of mixer tap adjustment

SCHELL GRANDIS E kitchen faucet.

The kitchen faucet that safeguards water quality with two actuation options.

With the new GRANDIS E kitchen faucet, the SCHELL Water Management System SWS now has an expansion for safeguarding drinking water hygiene: Network-ready electronic fittings are immediately available for all major tapping points in (semi-)public and commercial sanitary facilities. In this way, SCHELL helps you to ensure compliance with VDI 6023, **thanks to safe flushing of the hot/cold water supply**. The new GRANDIS E kitchen faucet also offers an impressive range of setting options, plus a very convenient combination of single-lever mixer and contact-free infrared triggering.

Product description:

- Kitchen faucet with swivel outlet, end stops to limit movement and a choice of two triggering styles
 - Single-lever: Temperature and water volume are selected individually each time the faucet is used
 - IR sensor: Temperature and water volume pre-configured in the faucet (factory settings)
- Available in three variants: with battery, with mains adapter, without separate power supply (in combination with SWS and BE-K bus extender cable)
- Includes pre-assembled connection hoses, fixing set, flow regulator and installation wrench
- Extensive range of settings, easily configured using SCHELL SWS or SSC
- Stagnation flush, flow time adjustable stepwise by short-range reflex, SWS and SSC configurable
- With hot water stop to protect users

Technical data:

- Flow volume:
 - Flow volume for manual actuation: max. 10 l/min at 3 bar
 - Flow volume for IR triggering: max. 8.5 l/min at 3 bar
 - LEED flow volume (optional): max. 4.5 l/min, pressure-independent (5 LEED points)
- Flow pressure: 1.0–5.0 bar
- Operating temperature: max. 70 °C
- Thermal disinfection: max. 80 °C
- Finish: chrome
- Materials conform to German Drinking Water Ordinance
- Noise class 1

Advantages:

- Contact-free, hygienic operation possible to protect user health
- Helps to maintain drinking water quality and conformity to VDI 6023 in kitchen areas
- Flushing of cold/hot water side for each stagnation flush, independently of single-lever mixer setting
- Drinking water quality monitored and documented in combination with the SCHELL Water Management System SWS and temperature sensors
- Long-term safety assured by materials conforming to German drinking water regulation (TrinkwV)
- Reliable SCHELL electronics
- Lead-/nickel-free in components used to supply water

Operation:

- Familiar operation via single-lever mixer to regulate water temperature and adjust tap flow rate
- Hygienic contact-free triggering via infrared sensor (IR) also possible with short-range reflex, with pre-configured temperature and selectable mixing ratio
- A repeat short-range reflex also stops the flow of water contact-free before the end of the flow time
- Stepwise parametrisation of flow time for IR triggering
- Triggering at 3 cm or less from the sensor: this ensures the flow of water is not started simply by using the wash basin

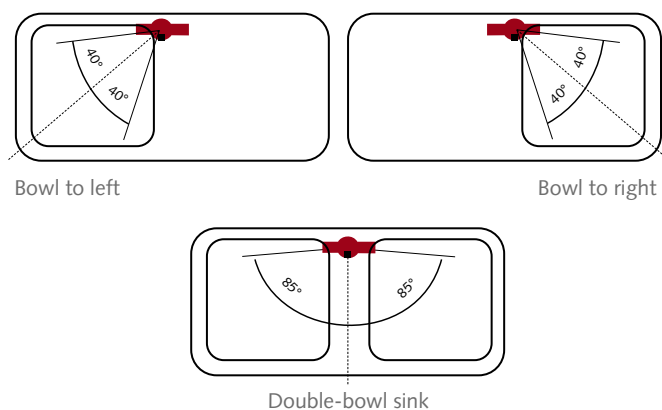
SCHELL GRANDIS E kitchen faucet.

A compact design that ensures long-term hygiene plus smart settings.

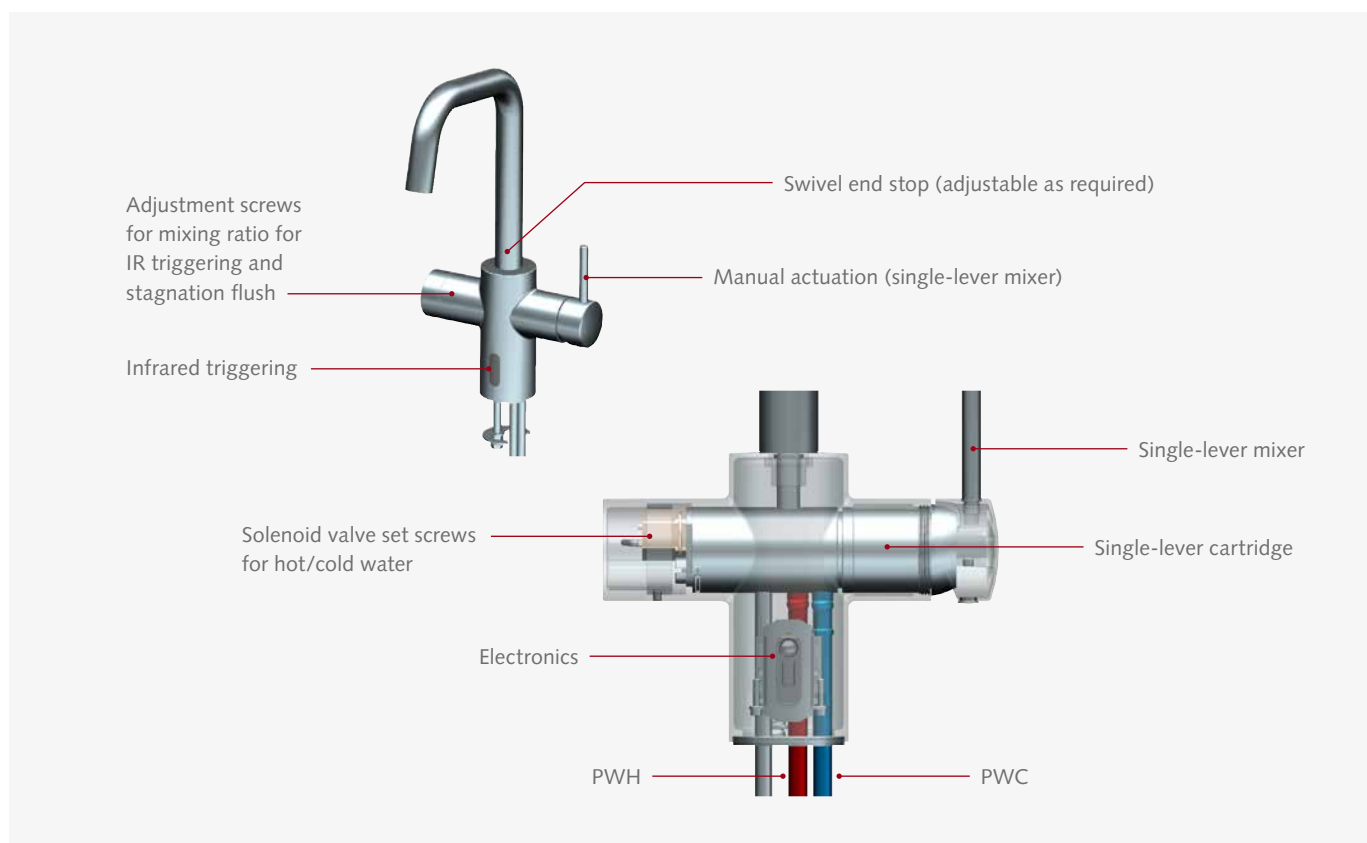
The clever combination of single-lever mixer and IR triggering is what makes the SCHELL kitchen faucet GRANDIS E so hygienic and so convenient to use. Contact-free triggering not only avoids contamination of the single-lever mixer by dirty hands but also maintains a safe level of hygiene. The innovative technology is intelligently integrated into the elegant, timeless design of the tap body.

Swivel end stops:

Specific limits to the angle of rotation for the kitchen outlet can be set during installation, to ensure the SCHELL GRANDIS E kitchen faucet can be used for a wide range of sink styles. The faucet can be installed both on double-bowl sinks and for sinks with just one bowl, which have a drainer on one side, as well as sinks that do not feature a drainer. For the last type of sink styles, the end stops ensure that the outlet is not accidentally swivelled over the drainer itself and then forgotten. This ensures that the flow of water produced by stagnation flushes drains safely into the sink bowl.



Components in the GRANDIS E kitchen faucet:



SCHELL GRANDIS E kitchen faucet

GRANDIS E battery operation

Item no. 00 242 06 99

GRANDISE with mains adapter

Item no. 00 243 06 99

GRANDISE without separate power supply

Item no. 00 244 06 99

Recommended associated items

SCHELL COMFORT PT angle valve

Item no. 04 992 06 99

SCHELL BE-F wireless bus extender

Item no. 00 502 00 99

SCHELL BE-K bus extender cable

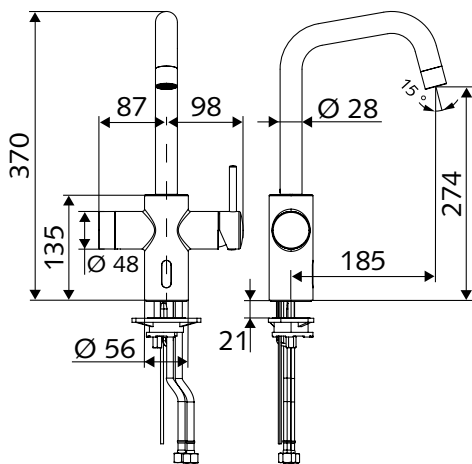
Item no. 00 501 00 99

SCHELL SSC Bluetooth® module

Item no. 00 916 00 99

SCHELL LEED flow regulator 4.5 l/min

Item no. 28 934 00 99





SCHELL GmbH & Co. KG
Raiffeisenstraße 31
57462 Olpe
Germany
Tel. +49 2761 892-0
Fax +49 2761 892-199
info@schell.eu
www.schell.eu

